



尼龍扎帶/電纜接頭/配綫器材 NYLON CABLE TIES, CABLE GLAND, WIRING ACCESSORIES

尼龙类产品

- 尼龙具有吸湿性，会吸潮吸湿，也会丢失水分。要保证最佳使用性能，材料务必保持2.5%的含水量。
- 包装可保持材料的含水量。库存维持扎带的原包装有利于扎带质量保持。不恰当得储存，尤其是处于干燥或寒冷环境，可以导致水分丢失，并影响扎带的使用。包装一旦打开，袋内扎带应尽快用完。

Nylon products

- Nylon is hygroscopic, it will absorb moisture, and lose the moisture too. To ensure optimum performance, the material must maintain a 2.5% water.
- Packaging may keep the moisture. In order to keep the quality, it's better to remain the original packaging for Inventories. If stored improperly, especially in dry or cold environment, it will lose water from cable ties, and impact the use of cable ties. Once the package is opened, please use out the cable ties as soon as possible.

以下是我们对于扎带储存的建议 : Here are our suggestions for the cable tie store:

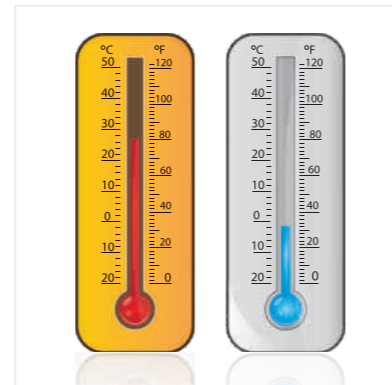
不要暴露或把扎带放置于阳光直接照射的环境
Do not expose or place the cable ties in direct sunlight environment;



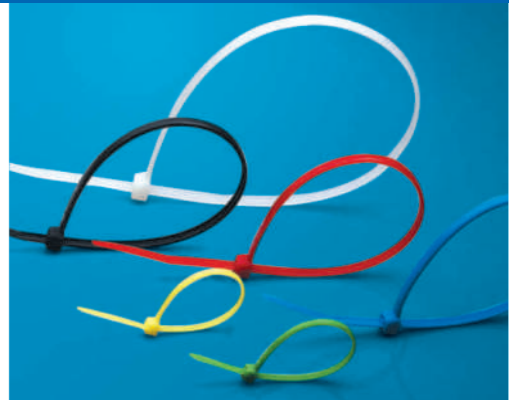
不要暴露或把扎带放置于直接热源附近
do not expose or placed the cable tie near direct heat;



扎带储存的理想温度如下
the ideal temperature to store the cable tie:



NYLON CABLE TIE
STAINLESS STEEL TIE
NAIL CABLE CLIPS
WIRING ACCESSORIES
CABLE GLAND
OEM/ODM SERVICE
ISO9001, UL CE SGS Certified



目录 DIRECTORY



**NYLON CABLE TIE
尼龍扎綫帶**

01



**PACKING OF SERIES A
尼龍扎綫包裝款式
A系列**

02



**PACKING OF SERIES B
包裝款式B系列**

03



**PACKING OF SERIES C
包裝款式C系列**

04-05



**PACKING OF SERIES
粘式扎綫固定座(包裝系列G)
粘式扎綫固定座(包裝系列C)**

05



**不銹鋼緊鎖鋼珠扎帶
(301-304-316)
萬能鋼帶箍**

06



**不銹鋼捆綁帶
美國波音飛機專用不
銹鋼捆綁帶**

07



**方型鋼釘綫卡系列
雙釘式白扁電綫固定卡
鈎型鋼釘綫卡系列**

08



**鋼釘綫卡(包裝系列E)
鋼釘綫卡(包裝系列F)**

09



**塑料十字架
AT膨脹管**

10



**TERMINAL BLOCKS
AT接綫端子**

11



**PACKING DETAILS A-1
A-1包裝尺寸**

12



**Nylon Cable Glands(United
Structure)
尼龍電纜防水接頭(連體)**

13-16



**Nylon Cable Glands(Divided
Structure)
尼龍電纜防水接頭(分體)**

17-19



**Multiple Hole&Flat Hole
Nylon Cable Gland(Split)
多孔 & 扁孔尼龍電
纜接頭 (分體)**

20-21



**PG-type plastic cable
tightening member(PG, M, NPT, G type)
塑料電纜旋緊件 (PG、
M、NPT、G 型)**

22



**PG-type plastic cable
tightening member
塑料電纜旋緊件
PG 型**

23




**M-type plastic cable
tightening member
塑料電纜旋緊件M型**

24




**塑料電纜旋緊件NPT型
塑料電纜旋緊件G型**

25



**Quick Connector for
Flexible Pipes
波紋管快速接頭**

26-27



**90 Degree Quick Connector
for Flexible Pipes
90 度波紋管快速接頭**

28-29



**Straight-through brass
cable gland
直通式黃銅電纜接頭**

30-32



**Brass Cable Gland
黃銅電纜接頭**

33-36



**Multiple Hole&Flat Hole
Metal Cable Gland
多孔及扁孔型金屬
電纜接頭**

37-42

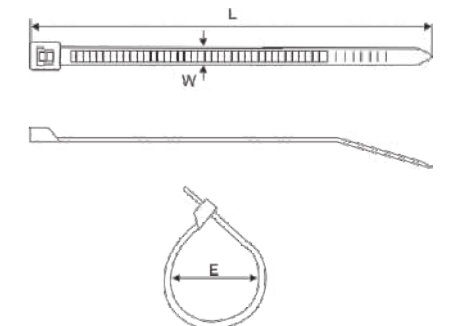
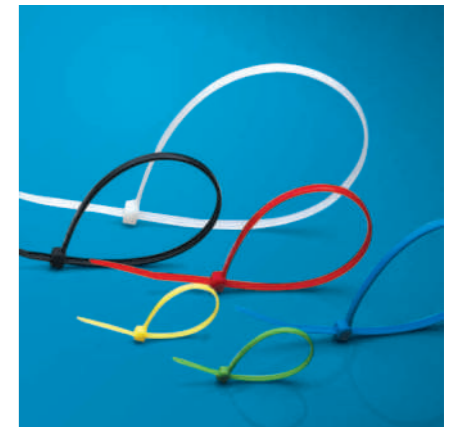
尼龍扎綫帶 NYLON CABLE TIE

材質: 採用UL認可之尼龍66料制成, 防火等級94V-2, 耐酸、耐蝕、絕緣性良好, 不易老化、承受力強。
顏色: 標準顏色為本色(白色), 另有抗外紫外線之黑色, 特殊顏色歡迎訂做。

Material: Nylon 66, 94V-2 certificated by UL. Heat-resisting, erosion control, insulate well and not apt to age.

Color: Natural (or white, standard color), UV black and other colors are available as requested.

型號 ITEM NO.	長L		寬W MM	捆紮範圍 E BUNDLE DIAMETER MM	承受力 TENSILE STRENGTH	
	INCH	MM			LBS	KGS
AT-2.5×60	2.4"	60	2.5	2-11	18	8
AT-2.5×80	3.2"	80		2-16		
AT-2.5×100	4.0"	100		2-22		
AT-2.5×120	4.7"	120		2-30		
AT-2.5×150	6.0"	150		2-35		
AT-2.5×160	6.3"	160		2-40		
AT-2.5×200	8.0"	200	3-50			
AT-3.6×140	5.5"	140	3.6	3-33	40	18
AT-3.6×150	6.0"	150		3-35		
AT-3.6×180	7.1"	180		3-42		
AT-3.6×200	8.0"	200		3-50		
AT-3.6×250	10"	250		3-65		
AT-3.6×280	11"	280		3-70		
AT-3.6×300	12"	300		3-80		
AT-3.6×370	14.6"	370		3-105		
AT-4×100	4"	100	3.6	2-11	40	18
AT-4×350	13.7"	350		3-90		
AT-4.8×120	4.7"	120	4.8	3-30	50	22
AT-4.8×160	6.3"	160		3-40		
AT-4.8×180	7.1"	180		3-42		
AT-4.8×190	7.5"	190		3-46		
AT-4.8×200	8.0"	200		3-50		
AT-4.8×250	10"	250		3-65		
AT-4.8×280	11"	280		3-70		
AT-4.8×300	12"	300		3-80		
AT-4.8×350	14"	350		3-90		
AT-4.8×360	14.2"	360		3-94		
AT-4.8×370	14.6"	370		3-98		
AT-4.8×380	15"	380		3-102		
AT-4.8×400	16"	400		3-105		
AT-4.8×430	16.9"	430		3-120		
AT-4.8×450	17.7"	450		3-130		
AT-4.8×500	19.7"	500		3-150		
AT-5×150	6"	150	4.8	3-35	50	22
AT-5×610	24"	610		8-170		
AT-7.2×150	6.0"	150	7.2	3-35	120	55
AT-7.2×200	8.0"	200		3-50		
AT-7.2×250	10"	250		4-65		
AT-7.2×280	11"	280		4-78		
AT-7.2×300	12"	300		4-80		
AT-7.2×350	14"	350		4-90		
AT-7.2×370	14.6"	370		4-98		
AT-7.2×380	15"	380		4-100		
AT-7.2×400	16"	400		4-105		
AT-7.2×450	18"	450		4-110		
AT-7.2×500	20"	500		4-150		
AT-7.2×530	20.9"	530		4-160		
AT-7.2×550	21.6"	550		4-165		
AT-7.2×750	29.5"	750		4-225		



尼龍扎帶包裝款式A系列 PACKING OF SERIES A



規格 MM	外箱尺寸 CM	數量 BAG	內盒尺寸 CM	數量 BAG	毛/淨重 KG
2.5×60	47×42×32	600	40×22×31	300	12/10
2.5×80	47×44×32	600	42×22×31	300	13/11
2.5×100	47×44×32	500	42×22×32	250	15/13
2.5×120	51×48×30	500	46×24×29	250	20/18
2.5×150	47×34×30	250	32×22×29	125	12/11
2.5×160	47×34×30	250	32×22×29	125	13/11
2.5×200	47×44×32	250	42×22×31	125	16/14
3.6×140	47×42×32	250	40×22×31	125	17/15
3.6×150	51×48×30	250	46×24×29	125	18/16
3.6×200	51×48×30	200	46×24×29	100	18/16
3.6×250	51×47×32	200	52×22×31	100	22/20
3.6×280	47×44×32	150	42×22×31	75	22/20
3.6×300	51×48×30	150	46×24×29	75	23/21
3.6×370	47×44×32	100	42×22×31	50	19/17
4.8×120	47×44×32	200	42×22×31	100	18/16
4.8×160	43×42×32	150	40×22×31	75	17/15
4.8×180	47×42×32	150	42×22×31	75	17/15
4.8×200	51×48×30	150	46×24×29	75	18/16
4.8×250	43×42×32	100	40×20×31	50	18/16
4.8×280	47×42×32	100	40×22×31	50	21/19
4.8×300	47×42×32	100	40×22×31	50	22/20
4.8×350	51×48×30	100	46×24×29	50	24/22
4.8×380	54×47×30	100	52×22×29	50	26/24
4.8×400	54×47×32	100	52×22×31	50	28/26
4.8×430	54×34×25	50	52×16×24	25	15/13
4.8×450	56×34×25	50	54×16×24	25	16/14
4.8×500	60×34×25	50	58×16×24	25	17/15
7.2×150	47×44×32	100	42×22×31	50	15/13
7.2×200	47×34×30	50	32×22×29	25	14/12
7.2×250	43×42×32	50	40×22×31	25	16/14
7.2×300	47×42×32	50	40×22×31	25	17/15
7.2×350	51×48×30	50	46×24×29	25	21/19
7.2×380	51×48×30	50	46×24×29	25	22/20
7.2×400	54×47×32	50	52×22×31	25	23/21
7.2×450	56×34×25	50	54×16×24	12/13	13/11
7.2×500	60×32×25	25	58×15×24	12/13	14/13
7.2×550	65×32×25	25	63×15×31	12/13	15/13
9.0×400	54×49×32	30	52×23×31	15	23/21
9.0×450	58×42×25	20	56×20×24	10	19/17
9.0×500	60×40×25	20	58×19×24	10	20/18
9.0×550	65×40×25	20	63×19×24	10	21/19
9.0×600	70×34×15	10	68×16×14	5	13/11
9.0×650	75×34×15	10	73×15×14	5	14/12
9.0×700	80×34×15	10	78×16×14	5	15/13
9.0×750	85×34×15	10	83×16×14	5	16/14
9.0×800	90×34×15	10	88×16×14	5	17/15
9.0×900	100×34×15	10	98×16×14	5	19/17
9.0×1000	110×34×15	10	108×16×14	5	20/18
9.0×1100	120×34×15	10	118×16×14	5	22/20
9.0×1200	130×34×15	10	128×16×14	5	24/22
12×650	75×34×24	10	73×16×23	5	17/15
12×900	100×34×25	10	98×16×24	5	24/22



包裝款式B系列 PACKING OF SERIES B

1000PCS PACKING

ITEM NO.	B1-1000	
DETAIL	2.5×100MM 4"	400PCS
	3.6×150MM 6"	300PCS
	3.6×200MM 8"	200PCS
	3.6×300MM 12"	100PCS
MEAS	54×44×34CM	
QTY	20SETS/CTN (10SETS/INNER BOX) 6900 SETS/20' CONTAINER	
G.W/N.W	16/14KG	
KEEVE	DIA:Φ10CM,HEIGHT:31CM	



300PCS PACKING

ITEM NO.	B2-300	
DETAIL	2.5×100MM 4"	200PCS
	3.6×200MM 8"	100PCS
MEAS	40×40×48CM	
QTY	50SETS/CTN (25SETS/INNER BOX) 17300 SETS/20' CONTAINER	
G.W/N.W	12/10KG	
KEEVE	DIA:Φ7.5CM,HEIGHT:21CM	



200PCS PACKING

ITEM NO.	B3-200	
DETAIL	2.5×100MM 4"	100PCS
	2.5×150MM 6"	50PCS
	3.6×200MM 8"	50PCS
MEAS	42×31×48CM	
QTY	70SETS/CTN (35SETS/INNER BOX) 31300 SETS/20' CONTAINER	
G.W/N.W	10/8KG	
KEEVE	DIA:Φ5.5CM,HEIGHT:21CM	



包裝款式C系列 PACKING OF SERIES C

200PCS PACKING

ITEM NO.	C1-200	
DETAIL	2.5×100MM 4"	200PCS
MEAS	61×37×36CM	
QTY	100SETS/CTN (25SETS/INNER BOX)	
G.W/N.W	11/9KG	



包裝款式C系列 PACKING OF SERIES C

75PCS PACKING

ITEM NO.	C4-75	
DETAIL	2.5×100MM 4"	25PCS
	4.8×120MM 4.7"	25PCS
	4.8×185MM 7.3"	25PCS
MEAS	56×33×36CM	
QTY	80SETS/CTN (20SETS/INNER BOX)	
G.W/N.W	13/11KG	



75PCS PACKING

ITEM NO.	C2-75	
DETAIL	2.5×100MM 4"	25PCS
	4.8×120MM 4.7"	25PCS
	4.8×200MM 8"	25PCS
MEAS	61×37×36CM	
QTY	100SETS/CTN (25SETS/INNER BOX)	
G.W/N.W	12/10KG	



粘式扎綫固定座(包裝系列G) PACKING OF SERIES G

ITEM NO.	C5-140	
DETAIL	2.5×100MM 4"	100PCS
	HT-1/4 R	10PCS
	HT-20	10PCS
	8mm	20PCS
MEAS	44×27×26CM	
QTY	40SETS/CTN (20SETS/INNER BOX)	
G.W/N.W	4/3KG	



75PCS PACKING

ITEM NO.	C3-75	
DETAIL	2.5×100MM 4"	25PCS
	2.5×120MM 4.7"	25PCS
	3.6×200MM 8"	25PCS
MEAS	56×33×36CM	
QTY	80SETS/CTN (20SETS/INNER BOX)	
G.W/N.W	7/5KG	



粘式扎綫固定座(包裝系列C) PACKING OF SERIES C

ITEM NO.	C-6	
DETAIL	HT-25	6PCS
MEAS	38×26×44CM	
QTY	200SETS/CTN (10SETS/INNER BOX)	
G.W/N.W	6/5KG	



不銹鋼緊鎖鋼珠扎帶(301-304-316)

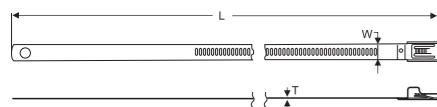
STAINLESS STEEL LOCK STEEL BALL TIES

標準及特點

不銹鋼電纜紮帶的技術性能完全符合IEC92號《船舶電氣設備》和GB1113-85《包塑金屬電纜紮帶》及《鋼質海船入級與建造規範》有關規定。紮帶正常工作條件環境溫度-25℃—160℃，拉力≥500N，本體材質ICr18Ni9。適用於露天、潮濕、高溫等室內外場所捆紮電纜，具有抗磨、抗腐蝕、抗放射和防火性能。

Standard and characteristic

Stainless steel cable technical feature brought to pitch accord with " electric equipment of boat ", No. of IEC92, totally " is it mould with GB1113-85 metal cable is it bring to pitch to make " and " steel seagoing vessel enter magnitude and build norm " relevant regulation. Pitch and take the normal environment temperature of condition of work - 25 degrees Centigrade - 160 degrees Centigrade, ≥ 500N of pulling force, noumenonn material ICr18Ni9. Suitable for tying up the cable in the internal and external places of the room, such as in the open, humidity, high temperature ,etc., resist and rub, be anticorrosive ,resist and radiate and fire prevention performance.



規格 Specification	規格 Specification	規格 Specification
4.6×127	7.6×150	13×200
4.6×152	7.6×200	13×250
4.6×200	7.6×250	13×300
4.6×250	7.6×300	13×350
4.6×300	7.6×350	13×400
4.6×350	7.6×400	13×450
4.6×400	7.6×450	13×500
4.6×450	7.6×500	13×550
4.6×500	7.6×550	13×600
4.6×550	7.6×600	13×650
4.6×600	7.6×650	13×700
4.6×650	7.6×700	13×750
4.6×700	7.6×750	13×800
4.6×750	7.6×800	13×850
4.6×800	7.6×850	13×900
	7.6×900	13×950
	7.6×950	13×1000
	7.6×1000	13×1050
	7.6×1050	13×1100
	7.6×1100	13×1200

萬能鋼帶箍 STAINLESS STEEL TIE (LADDER TYPE)

型號 ITEM.NO.	最大綁紮範圍 Max Bundle Dia		長度 "L" Length Approx		寬度 "W" Width Approx		承受力 Min Loop Tensile		包裝數量 Pkg. Qty.
	inch	mm	inch	mm	inch	mm	lbs	Kg	
AT-150S	.86	22	5.9	150	.28	7	250	113.4	100
AT-195S	1.7	45	8	195					
AT-255S	2.5	64	10	255					
AT-335S	3.5	89	13	335					
AT-490S	5.4	139	19	490					
AT-635S	7.2	185	25	635	.472	12	250	113.4	100
AT-150M	.86	22	5.9	150					
AT-195M	1.7	45	8	195					
AT-255M	2.5	64	10	255					
AT-335M	3.5	89	13	335					
AT-490M	5.4	139	19	490					
AT-635M	7.2	185	25	635					

不銹鋼捆綁帶 UNIVERSAL CLAMPING BAND

不銹鋼捆綁帶,所採用國際先進技術、進口設備與材料生產製造。它是由紮帶、紮扣配套將物體固定、捆綁、束緊、安裝用的新型緊固卡具。無論在陸地、海洋或天空,不管是工業、農業、運輸、通訊、電力、化工、交通、城建等廣泛用於各個領域。

The stainless steel trusses up bringing, the international advanced technology, import equipment and material adopted are manufactured. It is it take, is it is it form a complete set object regular, truss up, tighten, install use new-type to fasten the fixture to deduct to pitch to pitch. No matter on the land, the ocean or the sky, no matter industry , agriculture , transportation , communication , electricity, chemical industry , traffic , urban construction , etc. are used in each field extensively.

預制卡箍式 Caliper prefabricating type

型號 Model no	規格 Specification	單位 Unit	使用範圍 Use range(mm)
AT1006	10×0.6	個	Φ25~Φ250
AT1606	16×0.6	個	Φ25~Φ250
AT1008	10×0.8	個	Φ37~Φ250
AT1608	16×0.8	個	Φ50~Φ300
AT1908	19×0.8	個	Φ75~Φ500

預制條狀式 Strip prefabricating type

型號 Model no	規格 Specification	單位 Unit	使用範圍 Use range(mm)
AT1006	10×0.6	個	80~800
AT1606	16×0.6	個	80~800
AT1008	10×0.8	個	120~800
AT1608	16×0.8	個	160~1000
AT1908	19×0.8	個	240~1500

- 特殊規格歡迎定做。
- 以上所有規格之不銹鋼紮帶的帶身皆可噴塑。
- Other size are available as requested.
- The body of the above specification stainless steel cable ties can be plastic-coating

美國波音飛機專用不銹鋼捆綁帶

STAINLESS STEEL BAND FOR BOEING COMPANY

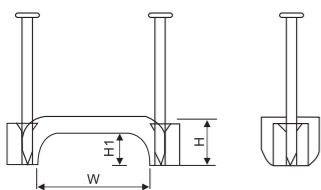
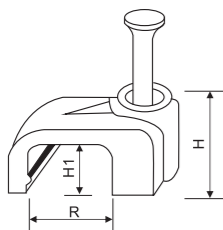
材質：由法國進口304不銹鋼帶精制而成。

規格：S3175-2 S3175-3 S3175-4

Material: The stainless steel trusses up bringing, the international advanced technology, import equipment and material adopted are manufactured.

Specification: S3175-2 S3175-3 S3175-4





方型鋼釘綫卡系列 SQUARE CABLE CLIPS

材質：採用PP材料制成，附鋼釘。

使用方法：將電線置於卡內，用鐵錘將鋼釘釘上牆壁上即可將電線固定。

用途：一般室內配線固定電線用。

Material: PP, Steel nail.

How to use: Put the cable under the clip and hammer the nail into the wall to secure the cable.

Application: Securing of cables for general indoor wiring.

型號 ITEM NO.	外高 H (MM)	內徑 Circle Path		鋼釘 Nail (MM)	包裝 PACKING
		H1(MM)	R(MM)		
4mm	6.0	3.8	4	1.7×15	100pcs
5mm	6.0	3.8	5	1.7×15	
6mm	6.5	4.1	6	1.7×16	
7mm	7.0	4.7	7	1.9×18	
8mm	7.5	5.0	8	2.05×20	
9mm	8.2	5.4	9	2.05×23	
10mm	8.6	5.7	10	2.3×23	
12mm	9.0	6.1	12	2.3×23	
14mm	11.2	6.5	14	2.4×30	
16mm	11.6	8.4	16	2.05×27	
20mm	13.6	10.2	20	2.4×32	

雙釘式白扁電綫固定卡 DOUBLE NAIL FLAT CABLE CLIPS

型號 ITEM NO.	寬 W	內高 H	外高 H1	適用電綫 SUITABLE WIRES	鋼釘 NAILS	包裝 PACKING
AT-13	12.5	8	8	#14/2,14/3,12/2	1.86×31	100pcs
AT-19	18.7	8	8	#12/3,10/2,10/3	1.86×31	

鈎型鋼釘綫卡系列 HOOK CABLE CLIPS

材質：PE

Material: High impact PE

型號 ITEM NO.	寬 W	鋼釘 Nail MM	包裝 PACKING
AT5-8	5~8	2.0×20	100pcs
AT6-10	6~10	2.0×20	
AT7-14	7~14	2.5×25	
AT9-18	9~18	2.5×30	

鋼釘綫卡(包裝系列E) PACKING OF SERIES E

型號 ITEM NO.	外箱尺寸 CM	數量 (100PCS/BAG) BAG/CTN	毛/淨重 KG
4mm	48×35×32	600	30/29
5mm		500	26/25
6mm		450	29/28
7mm		400	30/29
8mm		300	29/28
9mm		200	22/21
10mm	48×35×35	200	24/23
12mm		150	25/24
14mm		100	21/19
16mm		70	22/20
18mm	55×33×47	60	22/20
20mm		40	19/17
22mm	55×33×47	60	31/29
25mm		40	26/24

鋼釘綫卡(包裝系列F) PACKING OF SERIES F

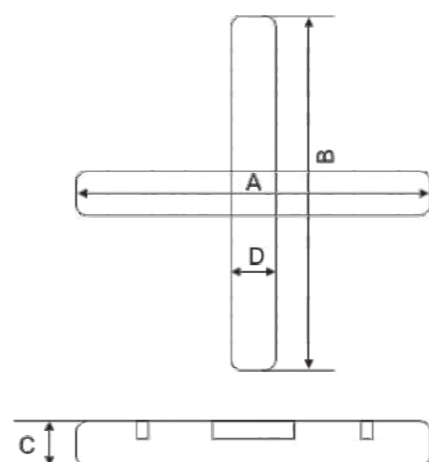
型號 ITEM NO.	外箱尺寸 CM	只/盒 BAG/CTN	盒/箱 BAG/CTN	毛/淨重 KG
4mm	40×34×39	100	400	27/25
5mm		100	400	29/27
6mm	48×35×37	100	300	27/25
7mm		100	300	30/28
8mm	48×35×35	100	200	24/22
9mm		100	200	26/24
10mm	52×44×33	100	180	30/29
12mm	52×37×26	100	100	28/26
14mm	52×44×33	50	180	27/25
	53×43×38	100	100	30/28
16mm	52×37×26	50	100	30/28
	53×43×38	100	100	35/33
18mm	53×43×38	50	100	26/34
	52×42×33	100	60	31/29
20mm	53×43×38	50	100	24/22
	52×42×33	100	60	33/31
22mm	53×43×38	50	100	32/30
25mm	53×42×33	50	60	25/23





塑料十字架 PLASTIC CROSS

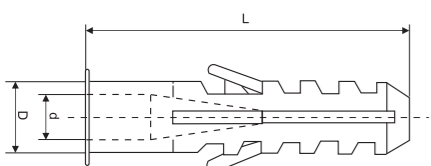
型號 ITEM NO.	A(mm)	B(mm)	A(mm)	B(mm)
2	27	27	3	2
3	31	31	3	3
5	34	34	6	5
7	44	44	7	7
8	44	44	8	8
10	49	49	10	10



AT膨脹管 EXPAND NAILS

材質：採用PE料制成 Material:made from PE.
顏色：白、灰 Color:White、Grey

編號 ITEM.NO.	長 L (mm)	外徑 D (mm)	內徑 D (mm)	螺絲釘 (mm)	包裝 PACKING
EN-05	-	5.0	-	-	100PCS
EN-06	29.8	6.0	4.9	φ4x32	
EN-07	29.8	7.0	5.3	φ5x32	
EN-08	38.6	7.9	5.3	φ5x40	
EN-10	42.7	9.9	5.8	φ5x45	
EN-12	47.9	11.6	6.3	φ6x50	
EN-14	-	-	-	-	



AT接線端子 TERMINAL BLOCKS

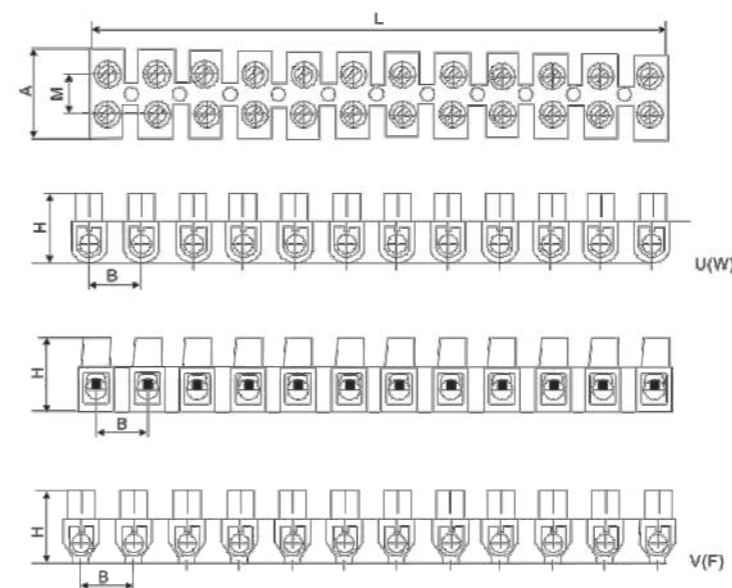
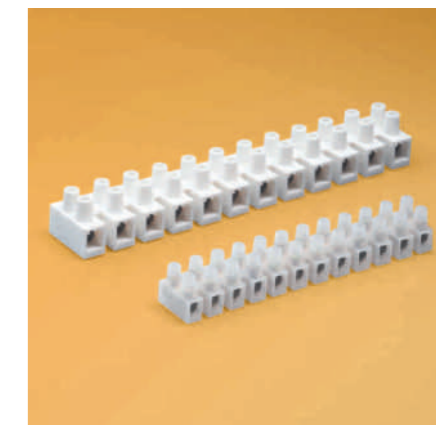
接線端子：H,U(W),V(F)型

材質：採用PA, PE和PP料制成。

Terminal blocks: H,U(W),V(F)TYPE

Material: made from PA, PE OR PP.

型號 ITEM NO.	L	A	H	M	B	mm ²	VOLT	AMP	包裝 PACKING
AT-3A	93	16	12	6	8	4	400V	3A	10PCS
AT-6A	115	15.7	13	6.5	9.5	6	400V	6A	
AT-10A	126	20.2	15.5	8.4	10.5	10	400V	10A	
AT-15A	139	23	17.7	10.3	12	12	400V	16A	
AT-20A	155	25	19.2	11.5	13.5	14	400V	20A	
AT-30A	171	26	20.5	12	14.5	16	400V	30A	
AT-60A	192	30	26	13.5	16.5	25	400V	60A	
AT-80A	205	33	27	15	17	35	400V	80A	
AT-100A	250	46	31	22	21	40	400V	100A	



Nylon Cable Glands(United Structure) 尼龙电缆防水接头 (连体)

规格灵活可定制免费样品提供

specification flexible can be customized free samples provided

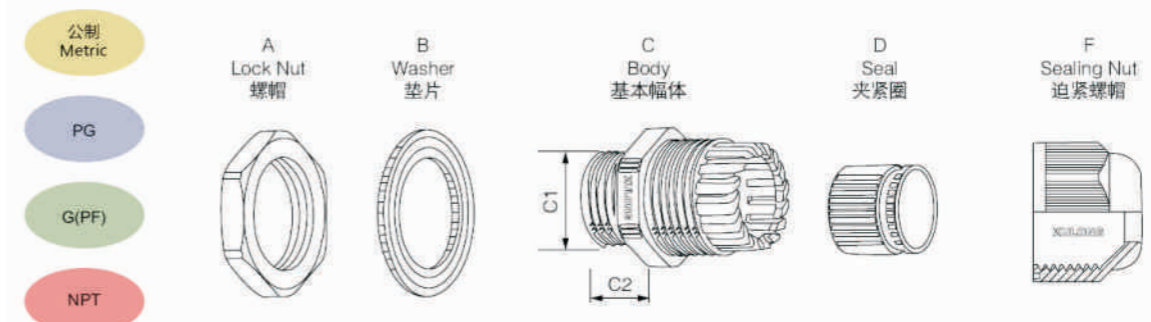


- 螺牙规格:公制牙 (Metric)、PG牙、G (PF/BSP/PS) 牙、NPT 牙。
- 产品材质 :A.C.F 部分采用 UL 认可之尼龙 PA66(防火等级 UL94V-2) 制成;
(可定制 UL 认可的 V-0 防火等级尼龙原料);
B.D 部分采用三元乙丙耐候橡胶制成;
(可定制耐寒、耐高温橡胶;耐高酸碱、耐化学与抗腐蚀橡胶)。
- 保护等级 :IP68-10
- 工作温度 :静态 -40°C至 100°C,或瞬间可耐热至 120°C;动态 -20°C至 80°C,或瞬间可耐热至 100°C。
- 产品特性:特殊夹紧爪与夹紧圈之设计,夹紧电缆范围大,抗拉力特强,可防水、防尘、抗盐、耐弱酸、酒精、油、油脂及一般溶剂。
- 颜色种类:黑色、灰色,其它颜色可定做。

注:特殊规格需要请联系工厂

- Thread:Metric,PG,G(PF),and NPT thread.
- Materials:UL approved Nylon PA66(Flammability UL94V-2)for A.C.F parts ;
(Accept to make flammability UL V-0);
EPDM rubber for B.D parts ;
(Accept to make super rubber:resist high temperature rubber, resist strong acid/alkali, etc).
- Protection degree:IP68-10 Bar
- Working temperature:-40°C to 100°C in static state,or instaneous heat resistance up to 120°C ;
-20°C to 80°C in dynamic state,or instantaneous heat resistance up to 100°C .
- Features:The claws and seals of excellent design,sealing nut have a "click"sound and re-open.can hold cable firmly and have a wider cable range.Resistant to salt water,weak acid,alcohol,oil,grease and common solvency.
- Colours:Black(PAL9005),gray(PAL7035),other color available upon request.

Note:Special size and type,please contant us



H-1包装尺寸 PACKING DETAILS H-1

U TYPE PACKING

型號 ITEM NO.	裝袋數量 PCS/BAG	裝箱數量 PCS/CTN	外箱尺寸 CM	毛/淨重 KG
3A-4mm	10	1500	41 × 29 × 27	26/25
5A-6mm	10	1200	48 × 24 × 29	26/25
6A-6mm	10	100	48 × 22 × 30	24/23
10A-10mm	10	800	42 × 27 × 30	26/25
15A-12mm	10	500	39 × 29 × 27	25/24
20A-14mm	10	500	37 × 28 × 27	26/25
30A-20mm	10	300	39.5 × 35.5 × 22	22/21
60A-25mm	10	200	39 × 31 × 28	24/23
80A-30mm	5	120	39 × 21.5 × 38	26/24
100A-40mm	5	50	54 × 25 × 20	18/17

H TYPE PACKING

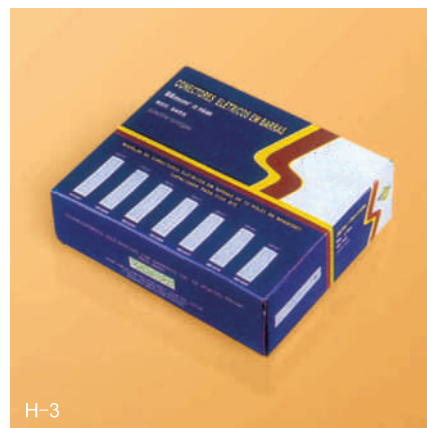
型號 ITEM NO	裝袋數量 PCS/BAG	裝箱數量 PCS/CTN	外箱尺寸 CM	毛/淨重 KG
3A-4mm	10	1500	41 × 29 × 27	26 /25
5A-6mm	10	1200	48 × 28 × 34	25 /24
6A-6mm	10	100	47 × 24 × 30	25 /24
10A-10mm	10	800	39 × 25 × 36	23 /22
15A-12mm	10	500	36 × 28 × 37	27 /26
20A-14mm	10	500	40 × 30 × 33	27 /26
30A-20mm	10	300	37 × 34 × 23	23 /22
60A-25mm	10	200	40 × 31 × 26	25 /24
80A-30mm	5	120	39 × 31 × 26	26 /24



H-1



H-2



H-3



H-4

Nylon Cable Glands(United Structure)
尼龙电缆防水接头 (连体)

规格灵活可定制免费样品提供
specification flexible can be customized free samples provided

螺牙规格 Thread	编号 Item.No.	电缆范围 Cable Range Φ(mm)	螺纹外径 Thread O.D. C1(mm)	螺纹长度 Thread Length C2(mm)	扳手径 Spanner Size A&F(mm)	包装 Std.Pkg (pcs)
M8×1.25	XL-M8 -4.8	2-4.8	8	7.5	13/12	50
M10×1.5	XL-M10 -6	3-6	10	8	15/13	50
M12×1.5	XL-M12S -6	3-6.5	12	8.5	18/15	50
	XL-M12SL -6	3-6.5	12	15	18/15	50
	XL-M12 -5	3-5.5	12	8.5	18/19	50
	XL-M12 -7	4-8	12	8.5	18/19	50
	XL-M12L -5	3-5.5	12	15	18/19	50
	XL-M12L -7	4-8	12	15	18/19	50
M16×1.5	XL-M16S -8	4-8	16	10	22/19	50
	XL-M16SL-8	4-8	16	15	22/19	50
	XL-M16 -7	3-7	16	10	22/22	50
	XL-M16 -10	5-10	16	10	22/22	50
	XL-M16L -7	3-7	16	15	22/22	50
	XL-M16L -10	5-10	16	15	22/22	50
M18×1.5	XL-M18 -7	3-7	18	10	24/22	50
	XL-M18 -10	5-10	18	10	24/22	50
	XL-M18L -7	3-7	18	15	24/22	50
	XL-M18L -10	5-10	18	15	24/22	50
M20×1.5	XL-M20S -12.5	6-12.5	20	10	27/24	50
	XL-M20 -11	5-11	20	11	27/27	50
	XL-M20 -13.5	8.5-14	20	11	27/27	50
	XL-M20L -11	5-11	20	15	27/27	50
	XL-M20L -13.5	8.5-14	20	15	27/27	50
M22×1.5	XL-M22 -11	5-11	22	11	27/27	50
	XL-M22 -13.5	8.5-14	22	11	27/27	50
M24×1.5	XL-M24 -11	5-11	24	11	27/27	50
	XL-M24 -13.5	8.5-14	24	11	27/27	50
M25×1.5	XL-M25S -14	8.5-14	25	11.6	33/27	50
	XL-M25 -13	7-13	25	11.6	33/33	50
	XL-M25 -18	12.5-18	25	11.6	33/33	50
	XL-M25L -13	7-13	25	15	33/33	50
	XL-M25L -18	12.5-18	25	15	33/33	50
	XL-M32S -17.5	11-17.5	32	15	36/42	20
M32×1.5	XL-M32 -22	14-22	32	15	41/42	20
	XL-M32 -25	17-25	32	15	41/42	20
	XL-M36 -22	14-22	36	12	45/42	20
M36×1.5	XL-M36 -25	17-25	36	12	45/42	20
	XL-M40 -26.5	18-25	40	15	50/52	10
M40×1.5	XL-M40 -31	23-32	40	15	50/52	10
	XL-M50 -32	25-32	50	15	62/62	10
M50×1.5	XL-M50 -41	30-41	50	15	62/62	10
	XL-M63 -41	29-38	63	18	75/65	10
M63×1.5	XL-M63 -46	35-46	63	18	75/65	10

Nylon Cable Glands(United Structure)
尼龙电缆防水接头 (连体)

规格灵活可定制免费样品提供
specification flexible can be customized free samples provided

螺牙规格 Thread	编号 Item.No.	电缆范围 Cable Range Φ(mm)	螺纹外径 Thread O.D. C1(mm)	螺纹长度 Thread Length C2(mm)	扳手径 Spanner Size A&F(mm)	包装 Std.Pkg (pcs)
PG7	XL-PG7S -6	3-6.5	12.5	8	17/15	50
	XL-PG7 -5	3-5.5	12.5	8	17/19	50
	XL-PG7L -5	3-5.5	12.5	15	17/19	50
	XL-PG7 -7	4-8	12.5	8	17/19	50
	XL-PG7L -7	4-8	12.5	15	17/19	50
PG9	XL-PG9 -5.5	3-5.5	15.2	8.2	22/19	50
	XL-PG9L -5.5	3-5.5	15.2	15	22/19	50
	XL-PG9 -7.5	4-8	15.2	8.2	22/19	50
PG11	XL-PG9L -7.5	4-8	15.2	15	22/19	50
	XL-PG11 -7	3-7	18.6	10	24/22	50
	XL-PG11L -7	3-7	18.6	15	24/22	50
PG13.5	XL-PG11 -10	5-10	18.6	10	24/22	50
	XL-PG11L -10	5-10	18.6	15	24/22	50
	XL-PG13.5-9	5-9	20.4	10	27/24	50
	XL-PG13.5L-9	5-9	20.4	15	27/24	50
PG16	XL-PG13.5-12.5	6-12.5	20.4	10	27/24	50
	XL-PG13.5L-12.5	6-12.5	20.4	15	27/24	50
	XL-PG16 -11	5-11	22.5	10.8	30/27	50
	XL-PG16L -11	5-11	22.5	15	30/27	50
PG19	XL-PG16 -14	8.5-14	22.5	10.8	30/27	50
	XL-PG16L -14	8.5-14	22.5	15	30/27	50
	XL-PG19 -11	5-11	24	11	30/27	50
	XL-PG19L -11	5-11	24	15	30/27	50
PG21	XL-PG19 -14	8.5-14	24	11	30/27	50
	XL-PG19L -14	8.5-14	24	15	30/27	50
	XL-PG21 -13	7-13	28.3	12	36/33	50
	XL-PG21L -13	7-13	28.3	15	36/33	50
PG25	XL-PG21 -17.5	12.5-18	28.3	12	36/33	50
	XL-PG21L -17.5	12.5-18	28.3	15	36/33	50
	XL-PG25 -20	14-20	30	13	36/37	50
PG29	XL-PG25L -20	14-20	30	15	36/37	50
	XL-PG29 -21	14-22	37	12	46/41	20
	XL-PG29L -21	14-22	37	15	46/41	20
	XL-PG29 -24	17-25	37	12	46/41	20
PG36	XL-PG29L -24	17-25	37	15	46/41	20
	XL-PG36 -25.5	17-25.5	47	14	57/52	10
PG42	XL-PG36 -31	24-32	47	14	57/52	10
	XL-PG42 -32	25-32	54	15	64/62	10
PG48	XL-PG42 -41	30-41	54	15	64/62	10
	XL-PG48 -38	29-38	59.3	18	70/65	10
	XL-PG48 -45.5	35-45.5	59.3	18	70/65	10

Nylon Cable Glands(United Structure) 尼龙电缆防水接头 (连体)

规格灵活可定制免费样品提供
specification flexible can be customized free samples provided

螺牙规格 Thread	编号 Item.No.	电缆范围 Cable Range Φ(mm)	螺纹外径 Thread O.D. C1(mm)	螺纹长度 Thread Length C2(mm)	扳手径 Spanner Size A&F(mm)	包装 Std.Pkg (pcs)
G(PF)1/4"	XL-G1/4 -5	3-5.3	13.157	8.5	19/19	50
	XL-G1/4 -8	4-8	13.157	8.5	19/19	50
G(PF)3/8"	XL-G3/8 -7	3-7	16.662	10	22/22	50
	XL-G3/8 -10	5-10	16.662	10	22/22	50
G(PF)1/2"	XL-G1/2 -9	5-9	20.955	10	27/24	50
	XL-G1/2 -12.5	6-12.5	20.955	10	27/24	50
G(PF)3/4"	XL-G3/4 -13	7-13	26.441	12	36/33	50
	XL-G3/4 -17.5	12.5-18	26.441	12	36/33	50
G(PF)1"	XL-G1 -21	15-22	33.249	15	46/41	20
	XL-G1 -24	17-25	33.249	15	46/41	20
G(PF)1 1/4"	XL-G11/4-25.5	17-25.5	41.91	15	57/52	10
	XL-G11/4-31	30-41	41.91	15	57/52	10
G(PF)1 1/2"	XL-G11/2 -25.5	25-32	48	15	60/62	10
	XL-G11/2 -31	24-32	48	15	60/62	10
G(PF)2"	XL-G2 -46	29-38	60	18	60/62	10
	XL-G2 -51	39-45.5	60	18	60/62	10
NPT1/4"	XL-NPT1/4 -5.5	3-5.5	13.157	8.5	19	50
	XL-NPT1/4 -6.8	4-8	13.157	8.5	19	50
NPT3/8"	XL-NPT3/8 -7	3-7	16.662	10	22	50
	XL-NPT3/8 -10	5-10	16.662	10	22	50
NPT1/2"	XL-NPT1/2 -9	5-9	20.955	10	24	50
	XL-NPT1/2 -13	6-12.5	20.955	10	24	50
NPT3/4"	XL-NPT3/4 -13	7-13	26.441	15	33	50
	XL-NPT3/4 -18	12.5-18	26.441	15	33	50
NPT1"	XL-NPT1 -22	15-22	33.249	15	41	20
	XL-NPT1 -25	17-25	33.249	15	41	20
NPT1 1/4"	XL-NPT11/4-25.5	17-25.5	41.91	15	52	20
	XL-NPT11/4-31	24-32	41.91	15	52	20

Nylon Cable Glands(Divided Structure) 尼龙电缆防水接头 (分体)

规格灵活可定制免费样品提供
specification flexible can be customized free samples provided

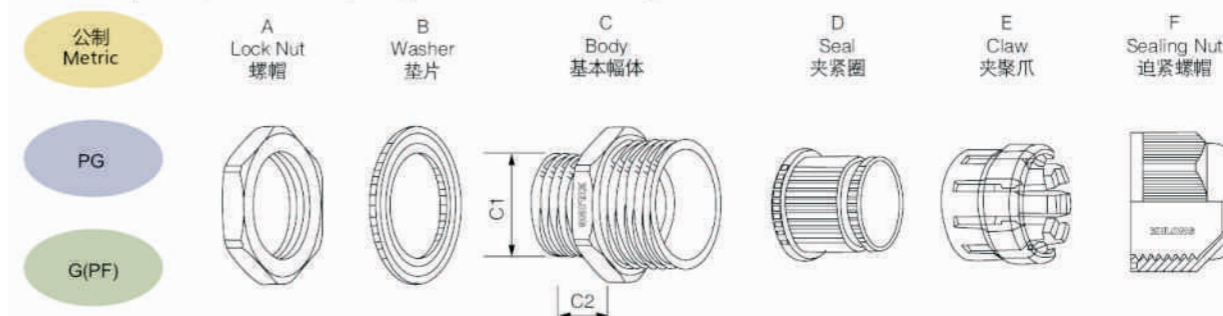


- 螺牙规格:公制牙 (Metric)、PG 牙、G (PF / BSP / PS) 牙、NPT 牙。
- 产品材质 :A.C.E.F 部分采用 UL 认可之尼龙 PA66(防火等级 UL94V-2) 制成;
(可定制 UL 认可的 V-0 防火等级尼龙原料);
B.D 部分采用三元乙丙耐候橡胶制成;
(可定制耐寒、耐高温橡胶;耐高酸碱、耐化学与抗腐蚀橡胶)。
- 保护等级 :IP68-10
- 工作温度 :静态 -40°C 至 100°C , 或瞬间可耐热至 120°C ;动态 -20°C 至 80°C , 或瞬间可耐热至 100°C 。
- 产品特性 :特殊夹紧爪与夹紧圈之设计, 夹紧电缆范围大, 抗拉力特强, 可防水、防尘、抗盐、耐弱酸、酒精、油、油脂及一般溶剂。
- 颜色种类 :黑色、灰色, 其它颜色可定做。

注 :特殊规格需要请联系工厂

- Thread:Metric,PG,G(PF),and NPT thread.
- Materials:UL approved Nylon PA66(Flammability UL94V-2)for A.C.E.F parts;
(Accept to make flammability UL V-0);
EPDM rubber for B.D parts;
(Accept to make super rubber:resist high temperature rubber, resist strong acid/alkali, etc).
- Protection degree:IP68-10 Bar
- Working temperature:-40°C to 100°C in static state, or instantaneous heat resistance up to 120°C ;
-20°C to 80°C in dynamic state, or instantaneous heat resistance up to 100°C .
- Features:The claws and seals of excellent design, sealing nut have a "click" sound and re-open, can hold cable firmly and have a wider cable range. Resistant to salt water, weak acid, alcohol, oil, grease and common solvency.
- Colours:Black(PAL9005),gray(PAL7035),other color available upon request.

Note: The special specification required, please contact the factory



Nylon Cable Glands(Divided Structure)
尼龙电缆防水接头 (分体)

规格灵活可定制免费样品提供
specification flexible can be customized free samples provided

螺牙规格 Thread	编号 Item.No.	电缆范围 Cable Range Φ(mm)	螺纹外径 Thread O.D. C1(mm)	螺纹长度 Thread Length C2(mm)	扳手径 Spanner Size A&F(mm)	包装 Std.Pkg (pcs)
M12×1.5	XL-M12A -5.5	3-5.5	12	8.5	18/19	50
	XL-M12A -8	4.5-7.8	12	8.5	18/19	50
M16×1.5	XL-M16AS -5.5-ST	3-5.5	16	10	22/19	50
	XL-M16AS -8-ST	4-8	16	10	22/19	50
	XL-M16AS -5.5	3-5.5	16	15	22/19	50
	XL-M16AS -8	4-8	16	15	22/19	50
	XL-M16A -7-ST	4-7	16	10	22/22	50
	XL-M16A -10-ST	6-10	16	10	22/22	50
	XL-M16A -7	4-7	16	15	22/22	50
	XL-M16A -10	6-10	16	15	22/22	50
M20×1.5	XL-M20AS -9-ST	5-9	20	10	24/24	50
	XL-M20AS -12.5-ST	6-12.5	20	10	24/24	50
	XL-M20A -11-ST	6-11	20	10	27/27	50
	XL-M20A -14-ST	9-14	20	10	27/27	50
	XL-M20A -11	6-11	20	15	27/27	50
M22×1.5	XL-M22A -14	9-14	20	15	27/27	50
	XL-M22A -11	6-11	20	10	27/27	50
M25×1.5	XL-M25AS -11-ST	6-11	25	10	33/27	50
	XL-M25AS -14-ST	9-14	25	10	33/27	50
	XL-M25A -16-ST	10-16	25	10	33/33	50
	XL-M25A -18-ST	13-18	25	10	33/33	50
	XL-M25A -16	10-16	25	15	33/33	50
M32×1.5	XL-M32A -22	15-22	32	15	41/42	20
	XL-M32A -25	18-25	32	15	41/42	20
M40×1.5	XL-M40A -26	20-26	40	20	50/52	10
	XL-M40A -31	24-31	40	20	50/52	10
M50×1.5	XL-M50A -33	25-33	50	22	62/62	10
	XL-M50A -41	31-41	50	22	62/62	10
M63×1.5	XL-M63A -46	39-46	63	25	75/75	10
	XL-M63A -51	44-51	63	25	75/75	10
M75×2.0	XL-M75A -56	50-56	75	25	92/92	1
	XL-M75A -66	56-66	75	25	92/92	1
M90×2.0	XL-M90A -68	58-68	90	25	110/110	1
	XL-M90A -77	66-77	90	25	110/110	1
PG7	XL-PG7A -5.5	3-5.5	12.5	8	17/19	50
	XL-PG7A -8	4.5-7.8	12.5	8	17/19	50
PG9	XL-PG9A -5.5	3-5.5	15.2	8.2	22/19	50
	XL-PG9A -8	4.5-7.8	15.2	8.2	22/19	50
PG11	XL-PG11A -7	4-7	18.6	10	24/22	50
	XL-PG11A -10	6-10	18.6	10	24/22	50
PG13.5	XL-PG13.5A-8.8	5-8.8	20.4	10	27/24	50
	XL-PG13.5A-12.5	7-12.5	20.4	10	27/24	50
PG16	XL-PG16A -11	6-11	22.5	10.8	30/27	50
	XL-PG16A -14	9-14	22.5	10.8	30/27	50
PG21	XL-PG21A -16	10-16	28.3	12	36/33	50
	XL-PG21A -18	13-18	28.3	12	36/33	50

Nylon Cable Glands(Divided Structure)
尼龙电缆防水接头 (分体)

规格灵活可定制免费样品提供
specification flexible can be customized free samples provided

螺牙规格 Thread	编号 Item.No.	电缆范围 Cable Range Φ(mm)	螺纹外径 Thread O.D. C1(mm)	螺纹长度 Thread Length C2(mm)	扳手径 Spanner Size A&F(mm)	包装 Std.Pkg (pcs)
PG29	XL-PG29A -22	15-22	37	12	46/41	20
	XL-PG29A -24	18-25	37	12	46/41	20
PG36	XL-PG36A -26	20-26	47	14	57/52	10
	XL-PG36A -31	24-31	47	14	57/52	10
PG42	XL-PG42A -33	25-33	54	15	64/62	10
	XL-PG42A -41	31-41	54	15	64/62	10
G(PF)1/4"	XL-G1/4A -5	3-5.3	13.157	8.5	19/19	50
	XL-G1/4A -8	5-7.8	13.157	8.5	19/19	50
G(PF)3/8"	XL-G3/8A -7	4-7	16.662	10	22/22	50
	XL-G3/8A -10	6-10	16.662	10	22/22	50
G(PF)1/2"	XL-G1/2A -9	5-8.8	20.955	10	27/24	50
	XL-G1/2A -12.5	7-12.5	20.955	10	27/24	50
G(PF)3/4"	XL-G3/4A -13	7-13	26.441	12	36/33	50
	XL-G3/4A -17.5	12.5-18	26.441	12	36/33	50
G(PF)1"	XL-G1A -21	15-22	33.249	15	46/41	20
	XL-G1A -24	17-25	33.249	15	46/41	20
G(PF)1 1/4"	XL-G1 1/4A -25.5	17-25.5	41.91	15	57/52	10
	XL-G1 1/4A -31	24-32	41.91	15	57/52	10
G(PF)1 1/2"	XL-G1 1/2A -33	25-33	48	22	60/62	10
	XL-G1 1/2A -41	31-41	48	22	60/62	10
G(PF)2"	XL-G2A -46	39-46	60	26	72/65	10
	XL-G2A -51	44-51	60	26	72/65	10

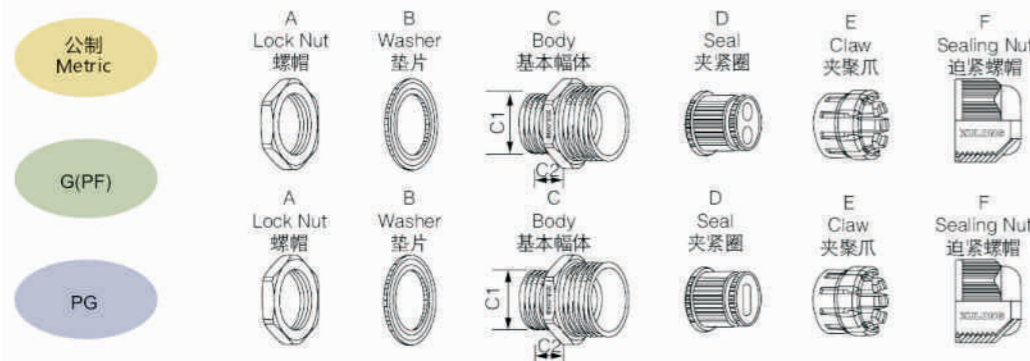
Multiple Hole&Flat Hole Nylon Cable Gland(Split) 多孔 & 扁孔尼龙电缆接头 (分体)

规格灵活可定制免费样品提供
specification flexible can be customized free samples provided



- 螺牙规格:公制牙 (Metric)、PG 牙、G (PF / BSP / PS) 牙、NPT 牙。
 - 产品材质:A.C.E.F部分采用 UL 认可之尼龙 PA66(防火等级 UL94V-2) 制成;
(可定制 UL 认可的 V-0 防火等级尼龙原料);
B.D 部分采用三元乙丙耐候橡胶制成;
(可定制耐寒、耐高温橡胶;耐高酸碱、耐化学与抗腐蚀橡胶)。
 - 保护等级:IP68-10
 - 工作温度:静态 -40°C至 100°C,或瞬间可耐热至 120°C;动态 -20°C至 80°C,或瞬间可耐热至 100°C。
 - 产品特性:特殊夹爪与夹紧圈之设计,夹紧电缆范围大,抗拉力特强,可防水、防尘、抗盐、耐弱酸、酒精、油、油脂及一般溶剂。
 - 颜色种类:黑色、灰色,其它颜色可定做。
- 注:特殊规格需要请联系工厂
- Thread:Metric,PG,G(PF),and NPT thread.
 - Materials:UL approved Mylon PA66(Flammability UL94V-2)for A,C,E,F parts;
(Accept to make flammability UL V-0);
EPDM rubber for B,D parts;
(Accept to make super rubber:resist high temperature rubber, resist strong acid/alkali, etc).
 - Protection degree:IP68-10 Bar
 - Working temperature:-40°C to 100°C in static state, or instantaneous heat resistance up to 120°C ;
-20°C to 80°C in dynamic state, or instantaneous heat resistance up to 100°C .
 - Features:The claws and seals of excellent design, sealing nut have a "click" sound and re-open, can hold cable firmly and have a wider cable range. Resistant to salt water, weak acid, alcohol, oil, grease and common solvency.
 - Colours:Black (PAL9005), gray (PAL7035), other color available upon request.

Note:Special size and type, please contact us



Multiple Hole&Flat Hole Nylon Cable Gland(Split) 多孔 & 扁孔尼龙电缆接头 (分体)

规格灵活可定制免费样品提供
specification flexible can be customized free samples provided

夹紧圈形状 Seal Holes	螺牙规格 Thread	编号 Item No.		电缆范围 Cable Range Φ(mm)	螺纹外径 Thread O.D. C1(mm)	机板口径 Panel mounting Hole(mm)	螺纹长度 Thread Length C2(mm)	扳手径 Spanner Size A&F(mm)	包装 Std.Pkg (pcs)
		黑色 Black	灰色 Gray						
2孔	M12×1.5	MG12A-H2-03B	MG12A-H2-03G	3-1.2	12	12-12.3	9	18/19	50
	M16×1.5	MG16A-H2-04B	MG16A-H2-04G	4-1.6	16	16-16.3	15	22/22	50
	M20×1.5	MG20A-H2-03B	MG20A-H2-03G	3.5-2	20	20-20.3	15	27/27	50
	M20×1.5	MG20A-H2-06B	MG20A-H2-06G	6-2.5	20	20-20.3	15	27/27	50
	M25×1.5	MG25A-H2-05B	MG25A-H2-05G	5-2	25	25-25.4	15	33/33	50
	M25×1.5	MG25A-H2-08B	MG25A-H2-08G	8.7-4.5	25	25-25.4	15	33/33	50
3孔	M32×1.5	MG32A-H2-10B	MG32A-H2-10G	10-5	32	32-32.4	15	41/41	10
	M12×1.5	MG12A-H3-02B	MG12A-H3-02G	2.6-1.2	12	12-12.3	9	18/19	50
	M16×1.5	MG16A-H3-04B	MG16A-H3-04G	4-1.6	16	16-16.3	15	22/22	50
	M20×1.5	MG20A-H3-03B	MG20A-H3-03G	3.5-1.5	20	20-20.3	15	27/27	50
	M20×1.5	MG20A-H3-05B	MG20A-H3-05G	5-2	20	20-20.3	15	27/27	50
	M25×1.5	MG25A-H3-05B	MG25A-H3-05G	5-2	25	25-25.4	15	33/33	50
4孔	M25×1.5	MG25A-H3-08B	MG25A-H3-08G	8-4	25	25-25.4	15	33/33	50
	M32×1.5	MG32A-H3-10B	MG32A-H3-10G	10-5	32	32-32.4	15	41/41	10
	M12×1.5	MG12A-H4-02B	MG12A-H4-02G	2.3-1	12	12-12.3	9	18/19	50
	M16×1.5	MG16A-H4-03B	MG16A-H4-03G	3-1.2	16	16-16.3	15	22/22	50
	M20×1.5	MG20A-H4-03B	MG20A-H4-03G	3.5-1.5	20	20-20.3	15	27/27	50
	M20×1.5	MG20A-H4-04B	MG20A-H4-04G	4.5-2	20	20-20.3	15	27/27	50
5孔	M25×1.5	MG25A-H4-05B	MG25A-H4-05G	5-2	25	25-25.4	15	33/33	50
	M25×1.5	MG25A-H4-07B	MG25A-H4-07G	7-3.5	25	25-25.4	15	33/33	50
	M32×1.5	MG32A-H4-09B	MG32A-H4-09G	9-4.5	32	32-32.4	15	41/41	10
	M16×1.5	MG16A-H5-02B	MG16A-H5-02G	2.5-1	16	16-16.3	15	22/22	50
	M20×1.5	MG20A-H5-03B	MG20A-H5-03G	3-1.2	20	20-20.3	15	27/27	50
	M20×1.5	MG20A-H5-04B	MG20A-H5-04G	4.2-1.7	20	20-20.3	15	27/27	50
6孔	M25×1.5	MG25A-H5-03B	MG25A-H5-03G	3.5-1.5	25	25-25.4	15	33/33	50
	M25×1.5	MG25A-H5-06B	MG25A-H5-06G	6-3	25	25-25.4	15	33/33	50
	M32×1.5	MG32A-H5-08B	MG32A-H5-08G	8-4	32	32-32.4	15	41/41	10
	M16×1.5	MG16A-H6-02B	MG16A-H6-02G	2-1	16	16-16.3	15	22/22	50
	M20×1.5	MG20A-H6-03B	MG20A-H6-03G	3-1.2	20	20-20.3	15	27/27	50
	M25×1.5	MG25A-H6-03B	MG25A-H6-03G	3.5-1.5	25	25-25.4	15	33/33	50
7孔	M25×1.5	MG25A-H6-05B	MG25A-H6-05G	5.3-2.4	25	25-25.4	15	33/33	50
	M32×1.5	MG32A-H6-07B	MG32A-H6-07G	7-3.5	32	32-32.4	15	41/41	10
	M20×1.5	MG20A-H7-03B	MG20A-H7-03G	3-1.2	20	20-20.3	15	27/27	50
	M25×1.5	MG25A-H7-03B	MG25A-H7-03G	3.5-1.5	25	25-25.4	15	33/33	50
	M32×1.5	MG32A-H7-06B	MG32A-H7-06G	6-3	32	32-32.4	15	41/41	10
	M20×1.5	MG20A-H8-02B	MG20A-H8-02G	2.8-1	20	20-20.3	15	27/27	50
扁孔	M25×1.5	MG25A-H8-03B	MG25A-H8-03G	3.5-1.5	25	25-25.4	15	33/33	50
	M16×1.5	MG16A-0610B	MG16A-0610G	6×10	16	16-16.3	15	22/22	50
	M20×1.5	MG20A-06128	MG20A-06126	6.5×12	20	20-20.3	15	27/27	50
	M20×1.5	MG20A-06148	MG20A-06146	6×14	20	20-20.3	15	27/27	50
	M20×1.5	MG20A-07128	MG20A-07126	7×12	20	20-20.3	15	27/27	50
	M20×1.5	MG20A-07148	MG20A-07146	7×14	20	20-20.3	15	27/27	50
	M25×1.5	MG25A-06148	MG25A-06146	6×14	25	25-25.4	15	33/33	50
	M25×1.5	MG25A-0714B	MG25A-07146	7×14	25	25-25.4	15	33/33	50
	M32×1.5	MG32A-0822B	MG32A-08226	8×22	32	32-32.4	15	41/41	10
	M40×1.5	MG40A-10288	MG40A-10286	10×28.5	40	40-40.3	20	50/50	10
	M40×1.5	MG40A-0529B	MG40A-05296	5.5×29	40	40-40.3	20	50/50	10

PG-type plastic cable tightening member(PG, M, NPT, G type)
塑料电缆旋紧件 (PG、M、NPT、G 型)

规格灵活可定制免费样品提供
specification flexible can be customized free samples provided



- 材料：尼龙塑料
- 密封件：丁腈橡胶 (NBR)
- 防护等级：IP68-5 巴压力 (旋紧部位, 并使用 O- 密封圈)
- 环境温度：静态 -40°C 至 100°C
短时至 120°C
动态 -20°C 至 80°C
短时至 100°C

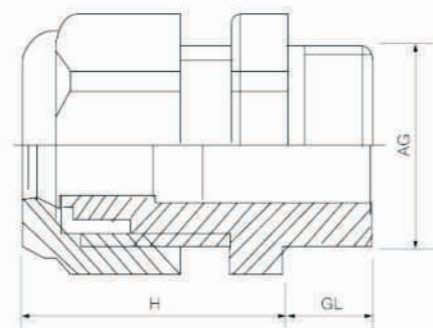
● 供货颜色：灰色、黑色，其它颜色请咨询

注：特殊规格需要请联系工厂

- Materials: nylon plastic
- Seals: nitrile rubber (NBR)
- Protection class: IP68-5 bar pressure (tighten parts, and use O- ring)
- Ambient temperature: -40 °C to 100 °C static
Short to 120 °C
Dynamic -20 °C to 80 °C
Short to 100 °C

● Delivery color: gray, black, other colors please ask

Note: Special size and type, please contact us



IP68 防尘、防水测试合格
IP68 dustproof and waterproof tested

PG-type plastic cable tightening member
塑料电缆旋紧件 PG 型

规格灵活可定制免费样品提供
specification flexible can be customized free samples provided

螺牙规格 Thread	电缆范围 Cable Range Φ(mm)	螺纹长度 Thread Length C2(mm)	H 段长度 H length(mm)	扳手径 Spanner Size A&F(mm)
PG7	3-6.5	9	22	16
PG7	2-5	9	22	16
PG9	4-8	9	26	20
PG9	2-6	9	26	20
PG11	5-10	9	27	22
PG11	3-7	9	27	22
PG13.5	6-12	10	28	24
PG13.5	5-9	10	28	24
PG16	10-14	10	30	28
PG16	7-12	10	30	28
PG19	12-15	10	30	27/28
PG19	10-12	10	30	27/28
PG21	13-18	10	35	33
PG21	9-16	10	35	33
PG25	16-21	11	34	36
PG25	13-18	11	34	36
PG29	18-25	12	40	43/44
PG29	13-20	12	40	43/44
PG36	22-32	15	48	52/53
PG36	20-26	15	48	52/53
PG42	32-38	14	49	60/61
PG42	25-31	14	49	60/61
PG48	37-44	17	50	68
PG48	29-35	17	50	68
PG63	42-50	27	60	72

M-type plastic cable tightening member 塑料电缆旋紧件 M 型

规格灵活可定制免费样品提供
specification flexible can be customized free samples provided

螺牙规格 Thread	电缆范围 Cable Range Φ(mm)	螺纹长度 Thread Length C2(mm)	H 段长度 H length(mm)	扳手径 Spanner Size A&F(mm)
M12×1.5	3-6.5	15	22	16
M12×1.5	2-5	15	22	16
M16×1.5	4-8	15	26	20
M16×1.5	2-6	15	26	20
M18×1.5	5-10	15	27	22
M18×1.5	3-7	15	27	22
M20×1.5	6-12	15	28	24
M20×1.5	5-9	15	28	24
M22×1.5	10-14	15	30	27
M22×1.5	7-12	15	30	27
M24×1.5	12-15	15	30	27
M24×1.5	10-12	15	30	27
M25×1.5	13-18	15	35	33
M25×1.5	9-16	15	35	33
M27×1.5	13-18	15	35	33
M27×1.5	9-16	15	35	33
M30×1.5	16-21	18	34	36
M30×1.5	13-18	18	34	36
M32×1.5	16-21	18	34	36/37
M32×1.5	13-18	18	34	36/37
M36×1.5	18-25	18	40	43-44
M36×1.5	13-20	18	40	43-44
M40×1.5	22-32	18	48	52/53
M40×1.5	20-26	18	48	52/53
M50×1.5	32-38	18	49	60/61
M50×1.5	25-31	18	49	61/61
M63×1.5	37-44	18	50	67
M63×1.5	29-36	18	50	67

Plastic cable fastening pieces NPT type 塑料电缆旋紧件 NPT 型

规格灵活可定制免费样品提供
specification flexible can be customized free samples provided

螺牙规格 Thread	电缆范围 Cable Range Φ(mm)	螺纹长度 Thread Length C2(mm)	本体高度 H Body height(mm)	扳手直径 Wrench diameter(mm)	扳手外径 Wrench OD(mm)	开孔尺寸 Hole Size(mm)
NPT1/4	4-8	8	22	15	13.7	13.7-14
NPT1/4	2-6	8	22	15	13.7	13.7-14
NPT3/8	5-10	15	24	19	17	17-17.3
NPT3/8	3-7	15	24	19	17	17-17.3
NPT1/2	6-12	13	27	24	21.2	21.2-21.5
NPT1/2	5-9	13	27	24	21.2	21.2-21.5
NPT3/4	13-18	15	35	33	26.6	26.6-26.9
NPT3/4	9-16	15	35	33	26.6	26.6-26.9
NPT1	18.5-25	16	40	42	33.3	33.3-33.6
NPT1	13-20	16	40	42	33.3	33.3-33.6
NPT1 ¹ / ₄	18.5-25	18	40	42/46	42	42-42.3
NPT1 ¹ / ₄	13-20	18	40	42/46	42	42-42.3
NPT1 ¹ / ₂	23-32	18	48	53	48	48-48.3
NPT1 ¹ / ₂	20-26	18	48	53	48	48-48.3

Plastic cable fastening pieces G type 塑料电缆旋紧件 G 型

规格灵活可定制免费样品提供
specification flexible can be customized free samples provided

螺牙规格 Thread	电缆范围 Cable Range Φ(mm)	螺纹长度 Thread Length C2(mm)	本体高度 H Body height(mm)	扳手直径 Wrench diameter(mm)	扳手外径 Wrench OD(mm)	开孔尺寸 Hole Size(mm)
G1/4	4-8	8	22	15	13.7	13.7-14
G1/4	2-6	8	22	15	13.7	13.7-14
G3/8	5-10	15	24	19	17	17-17.3
G3/8	3-7	15	24	19	17	17-17.3
G1/2	6-12	13	27	24	21.2	21.2-21.5
G1/2	5-9	13	27	24	21.2	21.2-21.5
G3/4	13-18	15	35	33	26.6	26.6-26.9
G3/4	9-16	15	35	33	26.6	26.6-26.9
G1	18.5-25	16	40	42	33.3	33.3-33.6
G1	13-20	16	40	42	33.3	33.3-33.6
G1 ¹ / ₄	18.5-25	18	40	42/46	42	42-42.3
G1 ¹ / ₄	13-20	18	40	42/46	42	42-42.3
G1 ¹ / ₂	23-32	18	48	53	48	48-48.3
G1 ¹ / ₂	20-26	18	48	53	48	48-48.3

Quick Connector for Flexible Pipes 波纹管快速接头

规格灵活可定制免费样品提供
specification flexible can be customized free samples provided

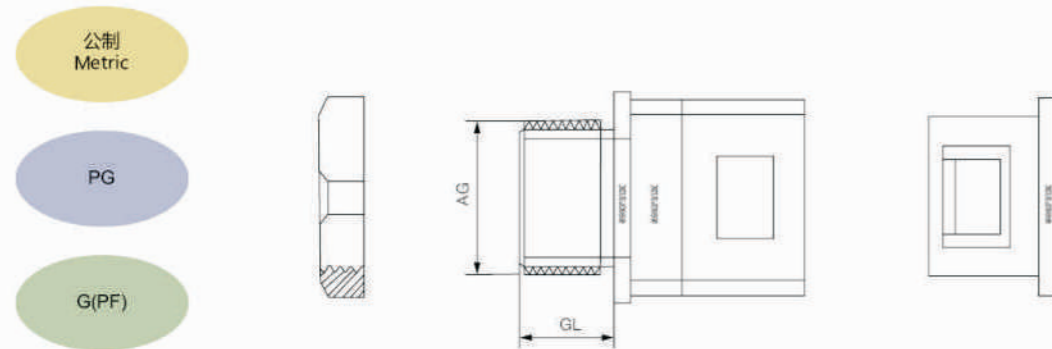


- 螺牙规格: 公制牙 (Metric)、PG 牙、G (PF / BSP / PS) 牙、NPT 牙 (可定制)。
- 产品材质: 采用 UL 认可之尼龙 PA66 (防火等级 UL94V-2) 制成 (可定制)。
- 工作温度: 静态 -40°C 至 100°C, 或瞬间可耐热至 120°C; 动态 -20°C 至 80°C, 或瞬间可耐热至 100°C。
- 产品特性: 特殊夹紧爪之设计, 夹紧浪管抗拉力强, 超快速拔插装卸, 提高安装效率。
- 颜色种类: 黑色、灰色, 其它颜色可定做。

注: 特殊规格需要请联系工厂

- Thread: Metric, PG, G (PF / BSP / PS), and NPT thread (customizable).
- Materials: UL approved Nylon PA66 (Flammability UL94V-2) (customizable).
- Working temperature: -40°C to 100°C in static state, or instantaneous heat resistance up to 120°C; -20°C to 80°C in dynamic state, or instantaneous heat resistance up to 100°C.
- Features: The claws of excellent design, to provide a fast & safe connection with the tubing and to get an excellent result of the pullout strength to be the best balanced performers for cable protection system.
- Colours: Black (PAL9005), grey (RAL7035), other color available upon request.

Note: Special size and type, please contact us



Quick Connector for Flexible Pipes 波纹管快速接头

规格灵活可定制免费样品提供
specification flexible can be customized free samples provided

适配软管 Accommodated Pipes	编号 Item.No.	螺牙规格 Thread	螺纹外径 Thread O.D. C1(mm)	螺纹长度 Thread Length C2(mm)	包装 Std.Pkg (pcs)
AD10.0	STF-M10 -10.0	M10×1.5	10	8.5	50
	STF-M12 -10.0	M12×1.5	12	8.5	50
AD13.0	STF-M12 -13.0	M12×1.5	12	10	50
	STF-M16 -13.0	M16×1.5	16	10	50
AD15.8	STF-M18 -13.0	M18×1.5	18	10	50
	STF-M16 -15.8	M16×1.5	16	10	50
AD18.5	STF-M18 -15.8	M18×1.5	18	12.5	50
	STF-M20 -15.8	M20×1.5	20	12.5	50
AD21.2	STF-M20 -18.5	M20×1.5	20	12.5	50
	STF-M22 -18.5	M22×1.5	22	12.5	50
AD25.0	STF-M20 -21.2	M20×1.5	20	13	50
	STF-M24 -21.2	M24×1.5	24	13	50
AD28.5	STF-M25 -21.2	M25×1.5	25	13	50
	STF-M25 -25.0	M25×1.5	25	13	50
AD34.5	STF-M25 -28.5	M25×1.5	25	13	20
	STF-M27 -28.5	M27×1.5	27	13	20
	STF-M30 -28.5	M30×1.5	30	13	20
AD42.5	STF-M32 -28.5	M32×1.5	32	13	20
	STF-M32 -34.5	M32×1.5	32	14	10
	STF-M36 -34.5	M36×1.5	36	14	10
AD54.5	STF-M40 -34.5	M40×1.5	40	14	10
	STF-M40 -42.5	M40×1.5	40	15	8
AD54.5	STF-M48 -42.5	M48×1.5	48	15	8
	STF-M50 -54.5	M50×1.5	50	16	5
AD54.5	STF-M63 -54.5	M63×1.5	63	16	5
	STF-PG7 -10.0	PG7	12.4	8.5	50
AD13.0	STF-PG9 -13.0	PG9	15.2	10	50
AD15.8	STF-PG11-15.8	PG11	18.4	12.5	50
AD15.8	STF-PG13.5-15.8	PG13.5	20.4	12.5	50
AD18.5	STF-PG13.5-18.5	PG13.5	20.4	12.5	50
AD21.2	STF-PG16-21.2	PG16	22.5	13	50
AD25.0	STF-PG21-25	PG21	28.3	13	20
AD28.5	STF-PG21-28.5	PG21	28.3	13	20
AD34.5	STF-PG29-34.5	PG29	37	14	10
AD42.5	STF-PG36-42.5	PG36	47	15	8
AD54.5	STF-PG42-54.5	PG42	54	16	5
	STF-PG48-54.5	PG48	59.3	16	5
AD10.0	STF-G1/4-10.0	G(PF)1/4"	13.1	8.5	50
AD13.0	STF-G3/8-13.0	G(PF)3/8"	16.6	10	50
AD15.8	STF-G3/8-1.58	G(PF)3/8"	16.6	12.5	50
	STF-G1/2-1.58	G(PF)1/2"	20.9	12.5	50
AD18.5	STF-G1/2-18.5	G(PF)1/2"	20.9	12.5	50
AD21.2	STF-G1/2-21.2	G(PF)1/2"	20.9	13	50
	STF-G3/4-21.2	G(PF)3/4"	26.4	13	50
AD25.0	STF-G3/4-25	G(PF)3/4"	26.4	13	50
AD28.5	STF-G3/4-28.5	G(PF)3/4"	26.4	13	20
AD34.5	STF-G1-34.5	G(PF)1"	33.2	14	10
AD42.5	STF-G1 1/4-42.5	G(PF)1 1/4"	41.9	15	8
AD54.5	STF-G1 1/2-54.5	G(PF)1 1/2"	48	16	5
	STF-G2-54.5	G(PF)2"	60	16	5

90 Degree Quick Connector for Flexible Pipes 90 度波纹管快速接头

规格灵活可定制免费样品提供
specification flexible can be customized free samples provided

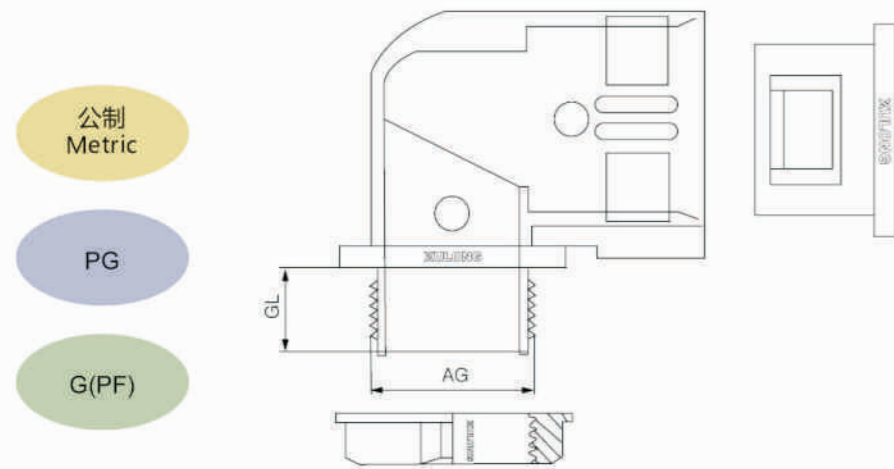


- 螺牙规格:公制牙 (Metric)、PG 牙、G (PF / BSP / PS) 牙、NPT 牙 (可定制)。
- 产品材质:采用 UL 认可之尼龙 PA66 (防火等级 UL94V-2) 制成 (可定制)。
- 工作温度:静态 -40°C 至 100°C, 或瞬间可耐热至 120°C; 动态 -20°C 至 80°C, 或瞬间可耐热至 100°C。
- 产品特性:特殊夹紧爪之设计, 夹紧软管抗拉力强, 超快速拔插装卸, 提高安装效率。
- 颜色种类:黑色、灰色, 其它颜色可定做。

注:特殊规格需要请联系工厂

- Thread:Metric,PG,G(PF/BSP/PS),and NPT thread (customizable).
- Materials:UL approved Nylon PA66 (Flammability UL94V-2) (customizable).
- Working temperature:-40°C to 100°C in static state,or instaneous heat resistance up to 120°C ;
-20°C to 80°C in dynamic state,or instantaneous heat resistance up to 100°C .
- Features:The claws of excellent design,to provide a fast & safe connection with the tubing and to get an excellent result of the pullout strength to be the best balanced performers for cable protection system.
- Colours:Black(PAL9005)、grey(RAL7035),other color available upon request.

Note:Special size and type,please contact us



90 Degree Quick Connector for Flexible Pipes 90 度波纹管快速接头

规格灵活可定制免费样品提供
specification flexible can be customized free samples provided

适配软管 Accommodated Pipes	编号 Item.No.	螺牙规格 Thread	螺纹外径 Thread O.D. C1(mm)	螺纹长度 Thread Length C2(mm)
AD10.0	RLX-M10-10.0	M10×1.5	10.0	10.0
	RLX-M12-10.0	M12×1.5	12.0	10.0
AD13.0	RLX-M16-13.0	M16×1.5	16.0	10.0
	RLX-M18-13.0	M18×1.5	18.0	10.0
AD15.8	RLX-M20-13.0	M20×1.5	20.0	10.0
	RLX-M16-15.8	M16×1.5	16.0	10.0
AD18.5	RLX-M18-15.8	M18×1.5	18.0	10.0
	RLX-M20-15.8	M20×1.5	20.0	10.0
AD21.2	RLX-M20-18.5	M20×1.5	20.0	11.5
	RLX-M20-21.2	M20×1.5	20.0	13.0
AD25.0	RLX-M24-21.2	M24×1.5	24.0	13.0
	RLX-M25-21.2	M25×1.5	25.0	13.0
AD28.5	RLX-M25-25.0	M25×1.5	25.0	13.0
	RLX-M25-28.5	M25×1.5	25.0	13.0
AD34.5	RLX-M27-28.5	M27×1.5	27.0	13.0
	RLX-M30-28.5	M30×1.5	30.0	13.0
AD42.5	RLX-M32-34.5	M32×1.5	32.0	14.5
	RLX-M36-34.5	M36×1.5	36.0	14.5
AD54.5	RLX-M40-34.5	M40×1.5	40.0	14.5
	RLX-M40-42.5	M40×1.5	40.0	14.5
AD10.0	RLX-M48-42.5	M48×1.5	48.0	14.5
	RLX-M50-54.5	M50×1.5	50.0	16.0
AD13.0	RLX-M63-54.5	M63×1.5	63.0	16.0
	RLX-PG7-10.0	PG7	12.5	10.0
AD15.8	RLX-PG9-13.0	PG9	15.2	10.0
AD18.5	RLX-PG11-15.8	PG11	18.6	10.0
AD21.2	RLX-PG13.5-18.5	PG13.5	20.4	11.0
AD25.0	RLX-PG16-21.2	PG16	22.5	13.0
AD28.5	RLX-PG21-25	PG21	28.3	13.0
AD34.5	RLX-PG21-28.5	PG21	28.3	13.0
AD42.5	RLX-PG29-34.5	PG29	37.0	14.5
AD54.5	RLX-PG36-42.5	PG36	47.0	14.5
AD54.5	RLX-PG42-54.5	PG42	54.0	16.0
AD54.5	RLX-PG48-54.5	PG48	59.3	16.0
AD10.0	RLX-G1/4-10.0	G(PF)1/4"	13.157	10.0
AD13.0	RLX-G3/8-13.0	G(PF)3/8"	16.662	10.0
AD15.8	RLX-G1/2-15.8	G(PF)1/2"	20.955	10.0
AD18.5	RLX-G1/2-18.5	G(PF)1/2"	20.955	11.0
AD21.2	RLX-G1/2-21.2	G(PF)1/2"	20.955	13.0
AD25.0	RLX-G3/4-25	G(PF)3/4"	26.441	13.0
AD28.5	RLX-G3/4-28.5	G(PF)3/4"	26.441	13.0
AD34.5	RLX-G1-34.5	G(PF)1"	33.2	14.5
AD42.5	RLX-G1 1/4-42.5	G(PF)1 1/4"	41.9	14.5
AD54.5	RLX-G1 1/2-54.5	G(PF)1 1/2"	48	16.0
AD54.5	RLX-G2-54.5	G(PF)2"	60	16.0

Straight-through brass cable gland 直通式黄铜电缆接头

规格灵活可定制免费样品提供
specification flexible can be customized free samples provided

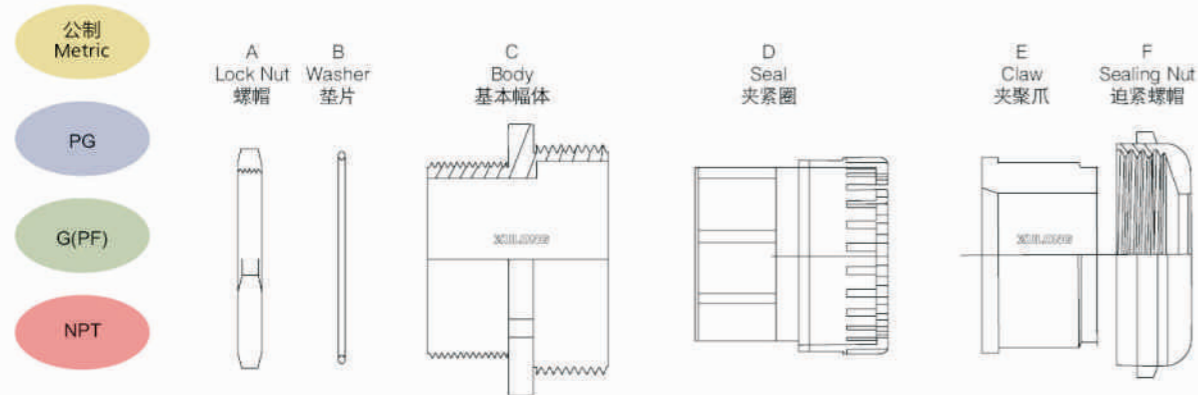


- 螺牙规格：公制牙 (Metric)、PG 牙、G (PF / BSP / PS) 牙、NPT 牙。
- 产品材质：A、C、F 部分以黄铜镀锌制成；
E 部分以 UL 认可之尼龙 PA66 制成 (防火等级 UL94V-2)；
B、D 部分采用三元乙丙耐候橡胶制成。
- 保护等级：IP68
- 工作温度：静态 -40°C 至 100°C，或瞬间可耐热至 120°C。(可定制 -60°C 至 220°C)
- 产品特性：特殊夹紧爪与夹紧圈之设计，夹紧电缆范围大，抗拉力特强，可防水、防尘、抗盐、耐弱酸、酒精、油、油脂及一般溶剂。

注：特殊规格需要请联系工厂

- Thread: Metric, PG, G (PF), and NPT thread.
- Materials: Brass with nickel plated for A, C, F parts;
UL approved Nylon PA66 (Flammability UL94V-2) for E part;
EPDM rubber for B, D parts.
- Protection degree: IP68
- Working temperature: -40°C to 100°C in static state, or instantaneous heat resistance up to 120°C. (Can be customized to -60°C to 220°C)
- Features: The claws and seals of excellent design, sealing nut have a "click" sound and re-open, can hold cable firmly and have a wider cable range. Resistant to salt water, weak acid, alcohol, oil, grease and common solvency.

Note: Special size and type, please contact us



Straight-through brass cable gland 直通式黄铜电缆接头

规格灵活可定制免费样品提供
specification flexible can be customized free samples provided

螺牙规格 Thread	电缆范围 Cable Range Φ(mm)	螺纹外径 Thread O.D. C1(mm)	螺纹长度 Thread Length C2(mm)	结合长度 Joint Length H(mm)	扳手径 Spanner Size A&F(mm)
M12×1.5(1)	3-6.5	12	7	19	14
M14×1.5	4-8	14	7	19	17
M16×1.5	4-8	16	8	20	18
M18×1.5	5-10	18	8	21	20
M20×1.5	6-12	20	8	22	22
M22×1.5	10-14	22	8	23	24
M24×1.5	10-14	24	9	25	24/27
M25×1.5	10-14	25	9	25	24/27
M25×1.5	13-18	25	9	27	30/27
M27×1.5(2)	13-18	27	9	27	30
M28×1.5(2)	13-18	28	9	27	30
M30×1.5(2)	13-18	30	9	29	30/32
M32×1.5(2)	15-22	32	10	29	35
M33×1.5(2)	15-22	33	10	29	35
M36×1.5(2)	18-25	36	10	31	40
M37×1.5(2)	18-25	37	10	31	40
M40×1.5(2)	18-25	40	11	31	40/45
M40×1.5(2)	22-30	40	11	35	45
M42×1.5(2)	22-30	42	11	35	45
M47×1.5(2)	25-33	47	11	37	50
M48×1.5(2)	25-33	48	11	37	50/52
M50×1.5(2)	32-38	50	12	37	50/55
M54×1.5(2)	32-38	54	12	38	57
M56×1.5(2)	32-38	56	12	38	57/59
M60×1.5(2)	37-44	60	13	38	64
M63×1.5(2)	37-44	63	13	38	64/68
M64×1.5(2)	37-44	64	13	38	64/68
M72×2	42-52	72	15	42	77
M75×2	42-52	75	15	42	77
M80×2	55-62	80	15	45	88
M88×2	65-70	88	15	45	94
M100×2	78-84	100	15	45	110
PG7	3-6.5	12.5	7	19	14
PG9	4-8	15.2	8	20	17
PG11	5-10	18.6	8	21	20/21
PG13.5	6-12	20.4	8	22	22
PG16	10-14	22.5	9	23	24
PG19	10-14	25	9	25	24/27
PG21	13-18	28.3	9	27	30

Straight-through brass cable gland 直通式黄铜电缆接头

规格灵活可定制免费样品提供
specification flexible can be customized free samples provided

螺牙规格 Thread	电缆范围 Cable Range Φ(mm)	螺纹外径 Thread O.D. C1(mm)	螺纹长度 Thread Length C2(mm)	结合长度 Joint Length H(mm)	扳手径 Spanner Size A&F(mm)
PG25	15-22	32	10	29	35
PG29	18-25	37	11	31	40
PG36	25-33	47	12	37	50
PG42	32-38	54	13	38	57
PG48	37-44	59.3	14	38	64
PG63	42-52	72	15	42	77
G(PF)1/4"	3-6.5	13.1	7	19	14
G(PF)3/8"	4-8	16.6	8	19	18
G(PF)1/2"	6-12	20.9	8	22	22
G(PF)3/4"	13-18	26.4	9	25	30
G(PF)1"	18-25	33.2	11	29	40
G(PF)1 1/4"	25-33	41.9	13	35	50
G(PF)1 1/2"	32-38	48	14	37	57
G(PF)2"	37-44	59.6	14	38	64
G(PF)2 1/2"	42-52	75.1	15	38	77
G(PF)3"	65-70	87.8	15	48	94
NPT1/4"	3-6.5	13.1	7	19	14
NPT3/8"	4-8	16.6	8	19	18
NPT1/2"	6-12	20.9	8	22	22
NPT3/4"	13-18	26.5	9	25	30
NPT1"	18-25	33.2	11	29	40
NPT1 1/4"	25-33	41.9	13	35	50
NPT1 1/2"	32-38	48	14	37	57
NPT2"	37-44	60	14	38	64
NPT2 1/2"	42-52	72.6	15	38	77
NPT3"	65-70	88.6	15	45	94

Brass Cable Gland 黄铜电缆接头

规格灵活可定制免费样品提供
specification flexible can be customized free samples provided

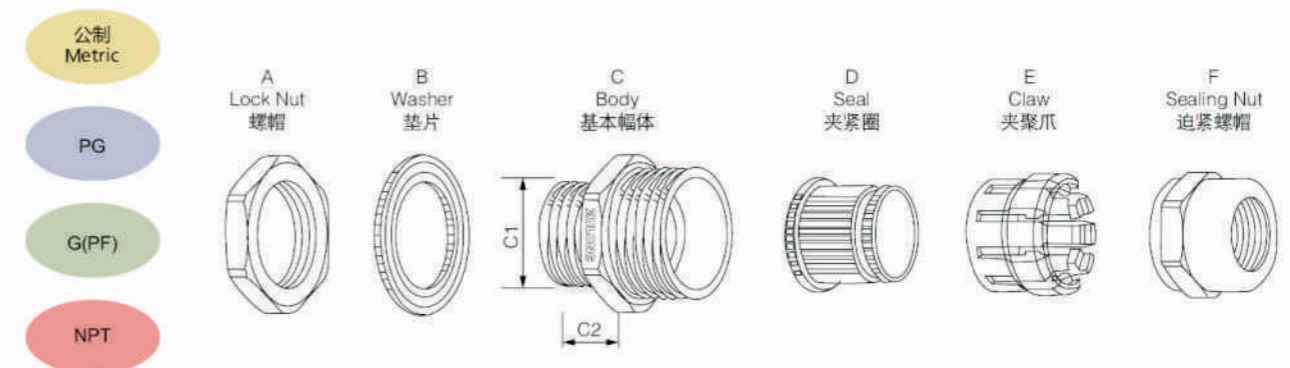


- 螺牙规格:公制牙 (Metric)、PG 牙、G (PF / BSP / PS) 牙、NPT 牙。
- 产品材质:A.C.F 部分以黄铜镀镍制成;
E 部分以 UL 认可之尼龙 PA66(防火等级 UL94V-2) 制成;
B.D 部分采用三元乙丙耐候橡胶制成;
(可定制耐寒、耐高温橡胶;耐高酸碱、耐化学与抗腐蚀橡胶)。
- 保护等级:IP68-10
- 工作温度:静态 -40°C 至 100°C, 或瞬间可耐热至 120°C;(可定制 -60°C 至 220°C)
- 产品特性:特殊夹爪与夹紧圈之设计, 夹紧电缆范围大, 抗拉力特强, 可防水、防尘、抗盐、耐弱酸、酒精、油、油脂及一般溶剂。

注:特殊规格需要请联系工厂

- Thread:Metric,PG,G(PF),and NPT thread
- Materials:Brass with nickel plated for A.C.F parts;
UL approved Nylon PA66(Flammability UL94V-2)for E part;
EPDM rubber for B.D parts
(Accept to make super rubber:resist high temperature rubber, resist strong acid/alkali, etc).
- Protection degree:IP68-10 Bar
- Working temperature:-40°C to 100°C in static state, or instantaneous heat resistance up to 120°C;(Can be customized to -60 °C to 220 °C)
- Features:The claws and seals of excellent design, sealing nut have a "click" sound and re-open, can hold cable firmly and have a wider cable range. Resistant to salt water, weak acid, alcohol, oil, grease and common solvency.

Note:Special size and type, please contact us



Brass Cable Gland 黄铜电缆接头

规格灵活可定制免费样品提供
specification flexible can be customized free samples provided

螺牙规格 Thread	编号 Item.No.	电缆范围 Cable Range Φ(mm)	螺纹外径 Thread O.D. C1(mm)	螺纹长度 Thread Length C2(mm)	扳手径 Spanner Size A&F(mm)	包装 Std.Pkg (pcs)
M6×1	LCG-M6 -3	2-3	6	5	9/9	20
M8×1.25	LCG-M8 -4.8	3-4.8	8	5.5	11/11	20
M10×1.5	LCG-M10 -5.5	3-5.5	10	7	14/14	20
M12×1.5	LCG-M12S-5.5	3-6.5	12	7	14/14	20
	LCG-M12 -5.5	3-5.5	12	8	17/17	10
	LCG-M12 -7.8	4.5-8	12	8	17/17	10
	LCG-M12S-5.5-L	3-6.5	12	15	14/14	20
M16×1.5	LCG-M12 -5.5-L	3-5.5	12	15	17/17	10
	LCG-M12 -7.8-L	4.5-8	12	15	17/17	10
	LCG-M16S-5.5	3-5.5	16	8	18/18	10
	LCG-M16S-7.8	4.5-8	16	8	18/18	10
	LCG-M16S-5.5-L	3-5.5	16	15	18/18	10
	LCG-M16S-7.8-L	4.5-8	16	15	18/18	10
M18×1.5	LCG-M16 -7	4-7	16	8	22/22	10
	LCG-M16 -10	6-10	16	8	22/22	10
	LCG-M16 -7-L	4-7	16	15	22/22	10
	LCG-M16 -10-L	6-10	16	15	22/22	10
	LCG-M18 -7	4-7	18	8	22/22	10
M20×1.5	LCG-M18 -10	6-10	18	8	22/22	10
	LCG-M18 -7-L	4-7	18	15	22/22	10
	LCG-M18 -10-L	6-10	18	15	22/22	10
	LCG-M20S-8.8	4-8.8	20	9.5	24/24	10
	LCG-M20S-12.5	7-12.5	20	9.5	24/24	10
	LCG-M20S-8.8-L	4-8.8	20	15	24/24	10
M22×1.5	LCG-M20S-12.5-L	7-12.5	20	15	24/24	10
	LCG-M20 -11	7-11	20	9.5	25/25	10
	LCG-M20 -14	9-14	20	9.5	25/25	10
	LCG-M20 -11-L	7-11	20	15	25/25	10
	LCG-M20 -14-L	9-14	20	15	25/25	10
M24×1.5	LCG-M22 -11	7-11	22	9.5	25/25	10
	LCG-M22 -14	9-14	22	9.5	25/25	10
	LCG-M22 -11-L	7-11	22	15	25/25	10
	LCG-M22 -14-L	9-14	22	15	25/25	10
M25×1.5	LCG-M24-16	12-16	24	12	30/30	10
	LCG-M24-18	14-18	24	12	30/30	10
	LCG-M24 -16-L	12-16	24	15	30/30	10
	LCG-M24 -18-L	14-18	24	15	30/30	10
M25×1.5	LCG-M25S-11	7-11	25	12	25/25	10
	LCG-M25S-14	9-14	25	12	25/25	10
	LCG-M25S-11-L	7-11	25	15	25/25	10
	LCG-M25S-14-L	9-14	25	15	25/25	10
	LCG-M25 -16	12-16	25	12	30/30	10
	LCG-M25 -18	14-18	25	12	30/30	10
	LCG-M25 -16-L	12-16	25	15	30/30	10
LCG-M25 -18-L	14-18	25	15	30/30	10	

Brass Cable Gland 黄铜电缆接头

规格灵活可定制免费样品提供
specification flexible can be customized free samples provided

螺牙规格 Thread	编号 Item.No.	电缆范围 Cable Range Φ(mm)	螺纹外径 Thread O.D. C1(mm)	螺纹长度 Thread Length C2(mm)	扳手径 Spanner Size A&F(mm)	包装 Std.Pkg (pcs)
M32×1.5	LCG-M32 -22	16-22	32	12.5	40/40	10
	LCG-M32 -25	18-25	32	12.5	40/40	10
	LCG-M32 -22-L	16-22	32	15	40/40	10
	LCG-M32 -25-L	18-25	32	15	40/40	10
M40×1.5	LCG-M40 -26	21-26	40	15	50/50	10
	LCG-M40 -31	24-31	40	15	50/50	10
	LCG-M40 -26-L	21-26	40	20	50/50	10
M50×1.5	LCG-M40 -31-L	24-31	40	20	50/50	10
	LCG-M50 -33	25-33	50	15	59/59	5
	LCG-M50 -41	31-41	50	15	59/59	5
	LCG-M50 -33-L	25-33	50	22	59/59	5
M63×1.5	LCG-M50 -41-L	31-41	50	22	59/59	5
	LCG-M63 -45	35-45	63	17	69/69	1
	LCG-M63L -46	39-46	63	17	75/75	1
M63×1.5	LCG-M63L -51	44-51	63	17	75/75	1
M75×2	LCG-M75 -56	50-56	75	22	93/93	1
M75×2	LCG-M75 -66	56-66	75	22	93/93	1
M80×2	LCG-M80 -56	50-56	80	22	93/93	1
M80×2	LCG-M80 -66	56-66	80	22	93/93	1
M90×2	LCG-M90 -68	58-68	90	24	110/110	1
M90×2	LCG-M90 -77	66-77	90	24	110/110	1
M100×2	LCG-M100 -68	58-68	100	24	110/110	1
M100×2	LCG-M100 -77	66-77	100	24	110/110	1
PG7	LCG-PG7S -5.5	3-6.5	12.5	7	14/14	20
	LCG-PG7-5.5	3-5.5	12.5	8	17/17	10
	LCG-PG7 -7.8	4.5-8	12.5	8	17/17	10
	LCG-P67S -5.5-L	3-6.5	12.5	15	14/14	20
	LCG-PG7 -5.5-L	3-5.5	12.5	15	17/17	10
	LCG-PG7 -7.8-L	4.5-8	12.5	15	17/17	10
PG9	LCG-PG9 -5.5	3-5.5	15.2	8	18/18	10
	LCG-PG9 -7.8	4.5-8	15.2	8	18/18	10
	LCG-PG9 -5.5-L	3-5.5	15.2	15	18/18	10
	LCG-PG9 -7.8-L	4.5-8	15.2	15	18/18	10
PG11	LCG-PG11-7	4-7	18.6	9	22/22	10
	LCG-PG11-10	6-10	18.6	9	22/22	10
	LCG-PG11-7-L	4-7	18.6	15	22/22	10
	LCG-P611-10-L	6-10	18.6	15	22/22	10
PG13.5	LCG-PG13.5-8.8	4-8.8	20.4	9.5	24/24	10
	LCG-PG13.5-12.5	7-12.5	20.4	9.5	24/24	10
	LCG-PG13.5-8.8-L	4-8.8	20.4	15	24/24	10
	LCG-PG13.5-12.5-L	7-12.5	20.4	15	24/24	10
PG16	LCG-PG16-11	7-11	22.5	9.5	25/25	10
	LCG-PG16-14	9-14	22.5	9.5	25/25	10
	LCG-PG16-11-L	7-11	22.5	15	25/25	10
	LCG-PG16-14-L	9-14	22.5	15	25/25	10

Brass Cable Gland 黄铜电缆接头

规格灵活可定制免费样品提供
specification flexible can be customized free samples provided

螺牙规格 Thread	编号 Item.No.	电缆范围 Cable Range Φ(mm)	螺纹外径 Thread O.D. C1(mm)	螺纹长度 Thread Length C2(mm)	扳手径 Spanner Size A&F(mm)	包装 Std.Pkg (pcs)
PG21	LCG-PG21-16	12-16	28.3	12	30/30	10
	LCG-PG21-18	14-18	28.3	12	30/30	10
	LCG-PG21-16-L	12-16	28.3	15	30/30	10
	LCG-PG21-18-L	14-18	28.3	15	30/30	10
PG29	LCG-PG29-22	16-22	37	12.5	40/40	10
	LCG-PG29-25	18-25	37	12.5	40/40	10
	LCG-PG29-22-L	16-22	37	15	40/40	10
	LCG-PG29-25-L	18-25	37	15	40/40	10
PG36	LCG-PG36-26	21-26	47	15	50/50	10
	LCG-P636-31	24-31	47	15	50/50	10
PG42	LCG-PG42-33	25-33	54	15	59/59	10
	LCG-PG42-41	31-41	54	15	59/59	10
PG48	LCG-PG48-45	35-45	59.3	17	69/69	5
G(PF)1/4"	LCG-PF 1/4 -5.5	3-5.5	13.1	8	18/18	10
	LCG-PF 1/4 -7.8	4.5-8	13.1	8	18/18	10
G(PF)3/8"	LCG-PF 3/8-7	4-7	16.6	9	22/22	10
	LCG-PF 3/8-10	6-10	16.6	9	22/22	10
G(PF)1/2"	LCG-PF 1/2S-8.8	4-8.8	20.9	9.5	24/24	10
	LCG-PF 1/2S-12.5	7-12.5	20.9	9.5	24/24	10
	LCG-PF 1/2-11	7-11	20.9	9.5	25/25	10
	LCG-PF 1/2-14	9-14	20.9	9.5	25/25	10
G(PF)3/4"	LCG-PF 3/4-16	12-16	26.4	12	30/30	10
	LCG-PF 3/4-18	14-18	26.4	12	30/30	10
G(PF)1"	LCG-PF 1-22	16-22	33.2	12.5	40/40	10
	LCG-PF 1-25	18-25	33.2	12.5	40/40	10
G(PF)1 1/4"	LCG-PF1 1/4-26	21-26	41.9	15	50/50	10
	LCG-PF1 1/4-31	24-31	41.9	15	50/50	10
G(PF)1 1/2"	LCG-PF1 1/2-33	25-33	48	15	59/59	10
	LCG-PF1 1/2-41	31-41	48	15	59/59	10
G(PF) 2"	LCG-PF 2-45	35-45	60	17	69/69	5
NPT1/4"	LCG-NPT 1/4 -5.5	3-5.5	13.1	8	18	10
	LCG-NPT 1/4 -7.8	4.5-8	13.1	8	18	10
NPT3/8"	LCG-NPT 3/8-7	4-7	16.6	9	22	10
	LCG-NPT 3/8-10	6-10	16.6	9	22	10
NPT1/2"	LCG-NPT 1/2S-8.8	4-8.8	20.9	9.5	24	10
	LCG-NPT 1/2S-12.5	7-12.5	20.9	9.5	24	10
	LCG-NPT 1/2-11	7-11	20.9	9.5	25	10
	LCG-NPT 1/2-14	9-14	20.9	9.5	25	10
NPT3/4"	LCG-NPT 3/4-16	12-16	26.4	12	30	10
	LCG-NPT 3/4-18	14-18	26.4	12	30	10
NPT1"	LCG-NPT 1-22	16-22	33.2	12.5	40	10
	LCG-NPT 1-25	18-25	33.2	12.5	40	10
NPT1 1/4"	LCG-NPT 1 1/4-26	21-26	41.9	15	50	10
	LCG-NPT 1 1/4-31	24-31	41.9	15	50	10
NPT 1/2"	LCG-NPT 1 1/2-33	25-33	48	15	59	10
	LCG-NPT 1 1/2-41	31-41	48	15	59	10
NPT2"	LCG-NPT 2-45	35-45	60	17	69	5

Multiple Hole&Flat Hole Metal Cable Gland 多孔及扁孔型金属电缆接头

规格灵活可定制免费样品提供
specification flexible can be customized free samples provided

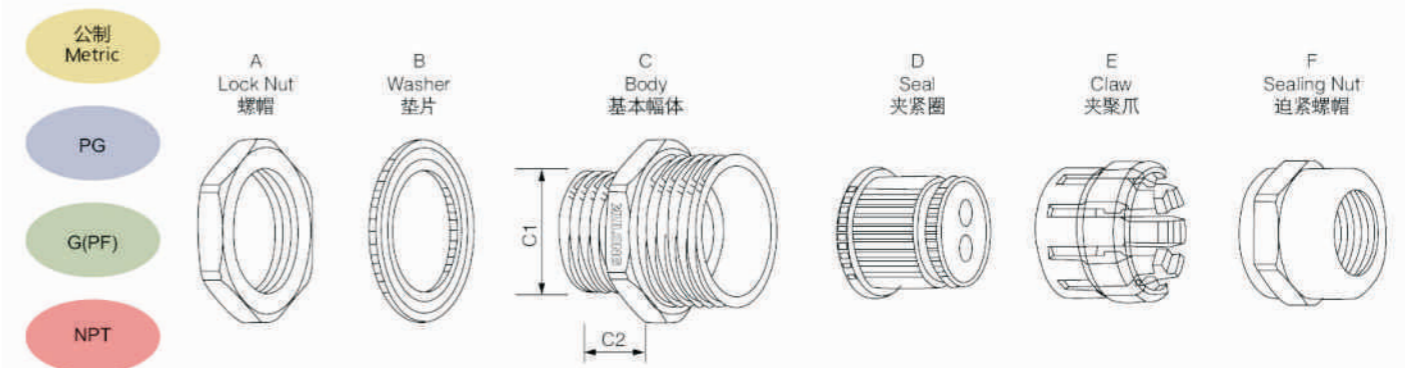


- 螺牙规格: 公制牙 (Metric)、PG 牙、G (PF / BSP / PS) 牙、NPT 牙。
- 产品材质 :A.C.F 部分以黄铜镀镍制成 ;
E 部分以 UL 认可之尼龙 PA66(防火等级 UL94V-2) 制成 ;
B.D 部分采用三元乙丙耐候橡胶制成。
- 保护等级 :IP68-10
- 工作温度 : 静态 -40°C 至 100°C, 或瞬间可耐热至 120°C。(可定制 -60°C 至 220°C)
- 产品特性 : 特殊夹紧爪与夹紧圈之设计, 夹紧电缆范围大, 抗拉力特强, 可防水、防尘、抗盐、耐弱酸、酒精、油、油脂及一般溶剂。

注: 特殊规格需要请联系工厂






- Thread: Metric, PG, G(PF), and NPT thread
- Materials: Brass with nickel plated for A, C, F parts;
UL approved Nylon PA66 (Flammability UL94V-2) for E part;
EPDM rubber for B, D parts.
- Protection degree: IP68-10 Bar
- Working temperature: -40°C to 100°C in static state, or instantaneous heat resistance up to 120°C. (Can be customized to -60°C to 220°C)
- Features: The claws and seals of excellent design, sealing nut have a "click" sound and re-open, can hold cable firmly and have a wider cable range. Resistant to salt water, weak acid, alcohol, oil, grease and common solvency.

Note: Special size and type, please contact us








Multiple Hole&Flat Hole Metal Cable Gland
多孔及扁孔型金属电缆接头

规格灵活可定制免费样品提供
specification flexible can be customized free samples provided

夹紧圈形状 Seal Holes	螺牙规格 Thread	编号 Item.No.	电缆范围 Cable Range Φ(mm)	螺纹外径 Thread O.D. C1(mm)	机板口径 Panel Mounting Hole(mm)	螺纹长度 Thread Length C2(mm)	扳手径 Spanner Size A&F(mm)	包装 Std.Pkg (pcs)
	M12×1.5	MBA12 -H2-03	3-1.2	12	12-12.3	8	17/17	10
	M16×1.5	MBA16 -H2-04	4-1.6	16	16-16.3	9	22/22	10
	M20×1.5	MBA20M -H2-05	5.3-1.5	20	20-20.3	9.5	24/24	10
	M20×1.5	MBA20 -H2-03	3.5-2	20	20-20.3	9.5	26/26	10
	M20×1.5	MBA20 -H2-06	6-2.5	20	20-20.3	9.5	26/26	10
	M25×1.5	MBA25 -H2-05	5-2	25	25-25.4	12	32/32	10
	M25×1.5	MBA25 -H2-08	8.7-4.5	25	25-25.4	12	32/32	10
	M32×1.5	MBA32 -H2-10	10-5	32	32-32.4	12.5	41/41	10
	G(PF)1/4"	FBA13 -H2-03	3-1.2	13.1	13.1-13.4	8	17/17	10
	G(PF)3/8"	FBA17 -H2-04	4-1.6	16.6	16.6-16.9	9	22/22	10
	G(PF)1/2"	FBA21 -H2-03	3.5-2	20.9	20.9-21.2	9.5	26/26	10
	G(PF)1/2"	FBA21 -H2-06	6-2.5	20.9	20.9-21.2	9.5	26/26	10
	G(PF)3/4"	FBA26 -H2-05	5-2	26.4	26.4-26.8	12	32/32	10
	G(PF)3/4"	FBA26 -H2-08	8.7-4.5	26.4	26.4-26.8	12	32/32	10
	G(PF)1"	FBA33 -H2-10	10-5	33.2	33.2-33.6	12.5	41/41	10
	PG7	PBA7 -H2-03	3-1.2	12.5	12.5-12.8	8	17/17	10
	PG9	PBA9 -H2-03	3-1.2	15.2	15.2-15.5	8	18/17	10
	PG11	PBA11 -H2-04	4-1.6	18.6	18.6-18.9	9	22/22	10
	PG13.5	PBA13.5 -H2-05	5.3-1.5	20.4	20.4-20.7	9.5	24/24	10
	PG16	PBA16 -H2-03	3.5-2	22.5	22.5-22.8	9.5	26/26	10
	PG16	PBA16 -H2-06	6-2.5	22.5	22.5-22.8	9.5	26/26	10
	PG21	PBA21 -H2-05	5-2	28.3	28.3-28.7	12	32/32	10
	PG21	PBA21 -H2-08	8.7-4.5	28.3	28.3-28.7	12	32/32	10
	PG29	PBA29 -H2-10	10-5	37	37-37.4	12.5	41/41	10
	NPT3/8"	NBA17 -H2-04	4-1.6	17.1	-	13	22	10
	NPT1/2"	NBA21 -H2-03	3.5-2	21.3	-	13	26	10
	NPT1/2"	NBA21 -H2-06	6-2.5	21.3	-	13	26	10
	NPT3/4"	NBA26 -H2-05	5-2	26.6	-	14	32	10
	NPT3/4"	NBA26 -H2-08	8.7-4.5	26.6	-	14	32	10
	NPT1"	NBA33 -H2-10	10-5	33.5	-	15	41	10
	M12×1.5	MBA12 -H3-02	2.6-1.2	12	12-12.3	8	17/17	10
	M16×1.5	MBA16 -H3-04	4-1.6	16	16-16.3	9	22/22	10
	M20×1.5	MBA20M -H3-05	5-2	20	20-20.3	9.5	24/24	10
	M20×1.5	MBA20 -H3-03	3.5-1.5	20	20-20.3	9.5	26/26	10
	M20×1.5	MBA20 -H3-05	5-2	20	20-20.3	9.5	26/26	10
	M25×1.5	MBA25 -H3-05	5-2	25	25-25.4	12	32/32	10
	M25×1.5	MBA25 -H3-08	8-4	25	25-25.4	12	32/32	10
	M32×1.5	MBA32 -H3-10	10-5	32	32-32.4	12.5	41/41	10
	G(PF)1/4"	FBA13 -H3-02	2.6-1.2	13.1	13.1-13.4	8	17/17	10
	G(PF)3/8"	FBA17 -H3-04	4-1.6	16.6	16.6-16.9	9	22/22	10
	G(PF)1/1/2"	FBA21 -H3-03	3.5-1.5	20.9	20.9-21.2	9.5	26/26	10
	G(PF)1/2"	FBA21 -H3-05	5-2	20.9	20.9-21.2	9.5	26/26	10
	G(PF)3/4"	FBA26 -H3-05	5-2	26.4	26.4-26.8	12	32/32	10
	G(PF)3/4"	FBA26 -H3-08	8-4	26.4	26.4-26.8	12	32/32	10
	G(PF)1"	FBA33 -H3-10	10-5	33.2	33.2-33.6	12.5	41/41	10
	PG7	PBA7 -H3-02	2.6-1.2	12.5	12.5-12.8	8	17/17	10



Multiple Hole&Flat Hole Metal Cable Gland
多孔及扁孔型金属电缆接头

规格灵活可定制免费样品提供
specification flexible can be customized free samples provided

夹紧圈形状 Seal Holes	螺牙规格 Thread	编号 Item.No.	电缆范围 Cable Range Φ(mm)	螺纹外径 Thread O.D. C1(mm)	机板口径 Panel Mounting Hole(mm)	螺纹长度 Thread Length C2(mm)	扳手径 Spanner Size A&F(mm)	包装 Std.Pkg (pcs)
	PG9	PBA9 -H3-02	2.6-1.2	15.2	15.2-15.5	8	18/17	10
	PG11	PBA11 -H3-04	4-1.6	18.6	18.6-18.9	9	22/22	10
	PG13.5	PBA13.5 -H3-05	5-2	20.4	20.4-20.7	9.5	24/24	10
	PG16	PBA16 -H3-03	3.5-1.5	22.5	22.5-22.8	9.5	26/26	10
	PG16	PBA16 -H3-05	5-2	22.5	22.5-22.8	9.5	26/26	10
	PG21	PBA21 -H3-05	5-2	28.3	28.3-28.7	12	32/32	10
	PG21	PBA21 -H3-08	8-4	28.3	28.3-28.7	12	32/32	10
	PG29	PBA29 -H3-10	10-5	37	37-37.4	12.5	41/41	10
	NPT3/8"	NBA17 -H3-04	4-1.6	17.1	-	13	22	10
	NPT1/2"	NBA21 -H3-03	3.5-1.5	21.3	-	13	26	10
	NPT1/2"	NBA21 -H3-05	5-2	21.3	-	13	26	10
	NPT3/4"	NBA26 -H3-05	5-2	26.6	-	14	32	10
	NPT3/4"	NBA26 -H3-08	8-4	26.6	-	14	32	10
	NPT1"	NBA33 -H3-10	10-5	33.5	-	15	41	10
	M12×1.5	MBA12 -H4-02	2.3-1	12	12-12.3	8	17/17	10
	M16×1.5	MBA16 -H4-03	3-1.2	16	16-16.3	9	22/22	10
	M20×1.5	MBA20M -H4-04	4.2-1.7	20	20-20.3	9.5	24/24	10
	M20×1.5	MBA20 -H4-03	3.5-1.5	20	20-20.3	9.5	26/26	10
	M20×1.5	MBA20 -H4-04	4.5-2	20	20-20.3	9.5	26/26	10
	M25×1.5	MBA25 -H4-05	5-2	25	25-25.4	12	32/32	10
	M25×1.5	MBA25 -H4-07	7-3.5	25	25-25.4	12	32/32	10
	M32×1.5	MBA32 -H4-09	9-4.5	32	32-32.4	12.5	41/41	10
	G(PF)1/4"	FBA13 -H4-02	2.3-1	13.1	13.1-13.4	8	17/17	10
	G(PF)3/8"	FBA17 -H4-03	3-1.2	16.6	16.6-16.9	9	22/22	10
	G(PF)1/2"	FBA21 -H4-03	3.5-1.5	20.9	20.9-21.2	9.5	26/26	10
	G(PF)1/2"	FBA21 -H4-04	4.5-2	20.9	20.9-21.2	9.5	26/26	10
	G(PF)3/4"	FBA26 -H4-05	5-2	26.4	26.4-26.8	12	32/32	10
	G(PF)3/4"	FBA26 -H4-07	7-3.5	26.4	26.4-26.8	12	32/32	10
	G(PF)1"	FBA33 -H4-09	9-4.5	33.2	33.2-33.6	12.5	41/41	10
	PG7	PBA7 -H4-02	2.3-1	12.5	12.5-12.8	8	17/17	10
	PG9	PBA9 -H4-02	2.3-1	15.2	15.2-15.5	8	18/17	10
	PG11	PBA11 -H4-03	3-1.2	18.6	18.6-18.9	9	22/22	10
	PG13.5	PBA13.5 -H4-04	4.2-1.7	20.4	20.4-20.7	9.5	24/24	10
	PG16	PBA16 -H4-03	3.5-1.5	22.5	22.5-22.8	9.5	26/26	10
	PG16	PBA16 -H4-04	4.5-2	22.5	22.5-22.8	9.5	26/26	10
	PG21	PBA21 -H4-05	5-2	28.3	28.3-28.7	12	32/32	10
	PG21	PBA21 -H4-07	7-3.5	28.3	28.3-28.7	12	32/32	10
	PG29	PBA29 -H4-09	9-4.5	37	37-37.4	12.5	41/41	10
	NPT3/8"	NBA17 -H4-03	3-1.2	17.1	-	13	22	10
	MPT1/2"	NBA21 -H4-03	3.5-1.5	21.3	-	13	26	10
	NPT1/2"	NBA21 -H4-04	4.5-2	21.3	-	13	26	10
	NPT3/4"	NBA26 -H4-05	5-2	26.6	-	14	32	10
	NPT3/4"	NBA26 -H4-07	7-3.5	26.6	-	14	32	10
	NPT1"	NBA33 -H4-09	9-4.5	33.5	-	15	41	10




Multiple Hole&Flat Hole Metal Cable Gland 多孔及扁孔型金属电缆接头

规格灵活可定制免费样品提供
specification flexible can be customized free samples provided

夹紧圈形状 Seal Holes	螺牙规格 Thread	编号 Item.No.	电缆范围 Cable Range Φ(mm)	螺纹外径 Thread O.D. C1(mm)	机板口径 Panel Mounting Hole(mm)	螺纹长度 Thread Length C2(mm)	扳手径 Spanner Size A&F(mm)	包装 Std.Pkg (pcs)
	M16×1.5	MBA16 -H5-02	2.5-1	16	16-16.3	9	22/22	10
	M20×1.5	MBA20 -H5-03	3-1.2	20	20-20.3	9.5	26/26	10
	M20×1.5	MBA20 -H5-04	4.2-1.7	20	20-20.3	9.5	26/26	10
	M25×1.5	MBA25 -H5-03	3.5-1.5	25	25-25.4	12	32/32	10
	M25×1.5	MBA25 -H5-06	6-3	25	25-25.4	12	32/32	10
	M32×1.5	MBA32 -H5-08	8-4	32	32-32.4	12.5	41/41	10
	G(PF)3/8"	FBA17 -H5-02	2.5-1	16.6	16.6-16.9	9	22/22	10
	G(PF)1/2"	FBA21 -H5-03	3-1.2	20.9	20.9-21.2	9.5	26/26	10
	G(PF)1/2"	FBA21 -H5-04	4.2-1.7	20.9	20.9-21.2	9.5	26/26	10
	G(PF)3/4"	FBA26 -H5-03	3.5-1.5	26.4	26.4-26.8	12	32/32	10
	G(PF)3/4"	FBA26 -H5-06	6-3	26.4	26.4-26.8	12	32/32	10
	G(PF)1"	FBA33 -H5-08	8-4	33.2	33.2-33.6	12.5	41/41	10
	PG11	PBA11 -H5-02	2.5-1	18.6	18.6-18.9	9	22/22	10
	PG16	PBA16 -H5-03	3-1.2	22.5	22.5-22.8	9.5	26/26	10
	PG16	PBA16 -H5-04	4.2-1.7	22.5	22.5-22.8	9.5	26/26	10
	PG21	PBA21 -H5-03	3.5-1.5	28.3	28.3-28.7	12	32/32	10
	PG21	PBA21 -H5-06	6-3	28.3	28.3-28.7	12	32/32	10
	PG29	PBA29 -H5-08	8-4	37	37-37.4	12.5	41/41	10
	NPT3/8"	NBA17 -H5-02	2.5-1	17.1	-	13	22	10
	NPT1/2"	NBA21 -H5-03	3-1.2	21.3	-	13	26	10
NPT1/2"	NBA21 -H5-04	4.2-1.7	21.3	-	13	26	10	
NPT3/4"	NBA26 -H5-03	3.5-1.5	26.6	-	14	32	10	
NPT3/4"	NBA26 -H5-06	6-3	26.6	-	14	32	10	
NPT1"	NBA33 -H5-08	8-4	33.5	-	15	41	10	
	M16×1.5	MBA16 -H6-02	2-1	16	16-16.3	9	22/22	10
	M20×1.5	MBA20 -H6-03	3-1.2	20	20-20.3	9.5	26/26	10
	M25×1.5	MBA25 -H6-03	3.5-1.5	25	25-25.4	12	32/32	10
	M25×1.5	MBA25 -H6-05	5.3-2.4	25	25-25.4	12	32/32	10
	M32×1.5	MBA32 -H6-07	7-3.5	32	32-32.4	12.5	41/41	10
	G(PF)3/8"	FBA17 -H6-02	2-1	16.6	16.6-16.9	9	22/22	10
	G(PF)1/2"	FBA21 -H6-03	3-1.2	20.9	20.9-21.2	9.5	26/26	10
	G(PF)3/4"	FBA26 -H6-03	3.5-1.5	26.4	26.4-26.8	12	32/32	10
	G(PF)3/4"	FBA26 -H6-05	5.3-2.4	26.4	26.4-26.8	12	32/32	10
	G(PF)1"	FBA33 -H6-07	7-3.5	33.2	33.2-33.6	12.5	41/41	10
	PG11	PBA11 -H6-02	2-1	18.6	18.6-18.9	9	22/22	10
	PG16	PBA16 -H6-03	3-1.2	22.5	22.5-22.8	9.5	26/26	10
	PG21	PBA21 -H6-03	3.5-1.5	28.3	28.3-28.7	12	32/32	10
	PG21	PBA21 -H6-05	5.3-2.4	28.3	28.3-28.7	12	32/32	10
	PG29	PBA29 -H6-07	7-3.5	37	37-37.4	12.5	41/41	10
	NPT3/8"	NBA17 -H6-02	2-1	17.1	-	13	22	10
	NPT1/2"	NBA21 -H6-03	3-1.2	21.3	-	13	26	10
	NPT3/4"	NBA26 -H6-03	3.5-1.5	26.6	-	14	32	10
	NPT3/4"	NBA26 -H6-05	5.3-2.4	26.6	-	14	32	10
	NPT1"	NBA33 -H6-07	7-3.5	33.5	-	15	41	10

Multiple Hole&Flat Hole Metal Cable Gland 多孔及扁孔型金属电缆接头

规格灵活可定制免费样品提供
specification flexible can be customized free samples provided

夹紧圈形状 Seal Holes	螺牙规格 Thread	编号 Item.No.	电缆范围 Cable Range Φ(mm)	螺纹外径 Thread O.D. C1(mm)	机板口径 Panel Mounting Hole(mm)	螺纹长度 Thread Length C2(mm)	扳手径 Spanner Size A&F(mm)	包装 Std.Pkg (pcs)	
	M20×1.5	MBA20 -H7-03	3-1.2	20	20-20.3	9.5	26/26	10	
	M25×1.5	MBA25 -H7-03	3.5-1.5	25	25-25.4	12	32/32	10	
	M32×1.5	MBA32 -H7-06	6-3	32	32-32.4	12.5	41/41	10	
	G(PF)1/2"	FBA21 -H7-03	3-1.2	20.9	20.9-21.2	9.5	26/26	10	
	G(PF)3/4"	FBA26 -H7-03	3.5-1.5	26.4	26.4-26.8	12	32/32	10	
	G(PF)1"	FBA33 -H7-06	6-3	33.2	33.2-33.6	12.5	41/41	10	
	PG16	PBA16 -H7-03	3-1.2	22.5	22.5-22.8	9.5	26/26	10	
	PG21	PBA21 -H7-03	3.5-1.5	28.3	28.3-28.7	12	32/32	10	
	PG29	PBA29 -H7-06	6-3	37	37-37.4	12.5	41/41	10	
	NPT1/2"	NBA21 -H7-03	3-1.2	21.3	-	13	26	10	
	NPT3/4"	NBA26 -H7-03	3.5-1.5	26.6	-	14	32	10	
	NPT1"	NBA33 -H7-06	6-3	33.5	-	15	41	10	
		M20×1.5	MBA20 -H8-02	2.8-1	20	20-20.3	9.5	26/26	10
		M25×1.5	MBA25 -H8-03	3.5-1.5	25	25-25.4	12	32/32	10
		G(PF)1/2"	FBA21 -H8-02	2.8-1	20.9	20.9-21.2	9.5	26/26	10
G(PF)3/4"		FBA26 -H8-03	3.5-1.5	26.4	26.4-26.8	12	32/32	10	
PG16		PBA16 -H8-02	2.8-1	22.5	22.5-22.8	9.5	26/26	10	
PG21		PBA21 -H8-03	3.5-1.5	28.3	28.3-28.7	12	32/32	10	
NPT1/2"		NBA21 -H8-02	2.8-1	21.3	-	13	26	10	
NPT3/4"		NBA26 -H8-03	3.5-1.5	26.6	-	14	32	10	
		M16×1.5	MBA16 -0610	6×10	16	16-16.3	9	22/22	10
		M20×1.5	MBA20M -0511	5×11.5	20	20-20.3	9.5	24/24	10
	M20×1.5	MBA20 -0612	6.5×1	20	20-20.3	9.5	26/26	10	
	M20×1.5	MBA20 -0614	6×14	20	20-20.3	9.5	26/26	10	
	M20×1.5	MBA20 -0712	7×12	20	20-20.3	9.5	26/26	10	
	M20×1.5	MBA20 -0714	7×14	20	20-20.3	9.5	26/26	10	
	M25×1.5	MBA25 -0614	6×14	25	25-25.4	12	32/32	10	
	M25×1.5	MBA25 -0714	7×14	25	25-25.4	12	32/32	10	
	M32×1.5	MBA32 -0822	8×22	32	32-32.4	12.5	41/41	10	
	M40×1.5	MBA40 -1028	10×28.5	40	40-40.4	15	50/50	5	
	M40×1.5	MBA40 -0529	5.5×29	40	40-40.4	15	50/50	5	
	G(PF)3/8"	FBA17 -0610	6×10	16.6	16.6-16.9	9	22/22	10	
	G(PF)1/2"	FBA21 -0612	6.5×12	20.9	20.9-21.2	9.5	26/26	10	
	G(PF)1/2"	FBA21 -0614	6×14	20.9	20.9-21.2	9.5	26/26	10	
	G(PF)1/2"	FBA21 -0712	7×12	20.9	20.9-21.2	9.5	26/26	10	
G(PF)1/2"	FBA21 -0714	7×14	20.9	20.9-21.2	9.5	26/26	10		
G(PF)3/4"	FBA26 -0614	6×14	26.4	26.4-26.8	12	32/32	10		
G(PF)3/4"	FBA26 -0714	7×14	26.4	26.4-26.8	12	32/32	10		
G(PF)1"	FBA33 -0822	8×22	33.2	33.2-33.6	12.5	41/41	10		
G(PF)1 1/4"	FBA42 -1028	10×28.5	41.9	41.9-42.3	15	50/50	5		
G(PF)1 1/4"	FBA42 -0529	5.5×29	41.9	41.9-42.3	15	50/50	5		
PG11	PBA11 -0610	6×10	18.6	18.6-18.9	9	22/22	10		
PG13.5	PBA13.5-0511	5×11.5	20.4	20.4-20.7	9.5	24/24	10		
PG16	PBA16 -0612	6.5×12	22.5	22.5-22.8	9.5	26/26	10		
PG16	PBA16 -0614	6×14	22.5	22.5-22.8	9.5	26/26	10		
PG16	PBA16 -0712	7×12	22.5	22.5-22.8	9.5	26/26	10		

Multiple Hole&Flat Hole Metal Cable Gland
 多孔及扁孔型金属电缆接头

规格灵活可定制免费样品提供
 specification flexible can be customized free samples provided

夹紧圈形状 Seal Holes	螺牙规格 Thread	编号 Item.No.	电缆范围 Cable Range Φ(mm)	螺纹外径 Thread O.D. C1(mm)	机板口径 Panel Mounting Hole(mm)	螺纹长度 Thread Length C2(mm)	扳手径 Spanner Size A&F(mm)	包装 Std.Pkg (pcs)
	PG16	PBA16 -0714	7×14	22.5	22.5-22.8	9.5	26/26	10
	PG21	PBA21 -0614	6×14	28.3	28.3-28.7	12	32/32	10
	PG21	PBA21 -0714	7×14	28.3	28.3-28.7	12	32/32	10
	PG29	PBA29 -0822	8×22	37	37-37.4	12.5	41/41	10
	PG36	PBA36 -1028	10×28.5	47	47-47.4	15	50/50	5
	PG36	PBA36 -0529	5.5×29	47	47-47.4	15	50/50	5
	NPT3/8"	NBA17 -0610	6×10	17.1	-	13	22	10
	NPT1/2"	NBA21 -0612	6.5×15	21.3	-	13	26	10
	NPT1/2"	NBA21 -0614	6×14	21.3	-	13	26	10
	NPT1/2"	NBA21 -0712	7×12	21.3	-	13	26	10
	NPT1/2"	NBA21 -0714	7×14	21.3	-	13	26	10
	NPT3/4"	NBA26 -0614	6×14	26.6	-	14	32	
	NPT3/4"	NBA26 -0714	7×14	26.6	-	14	32	10
	NPT1"	NBA33 -0822	8×22	33.5	-	15	41	10
	NPT1 1/4"	NBA42 -1028	10×28.5	42.2	-	15	50	5
	NPT1 1/4"	NBA42 -0529	5.5×29	42.2	-	15	50	5



诚信天下
 Integrity of the World

